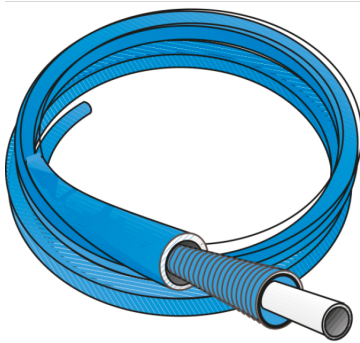


# KELOX

## KM144 KELOX pro plus pipe 16x2/25/4

1005164

### Areas of application



?KELOX multilayer pipe conforming to ÖNORM EN ISO 21003; oxygen- and water vapour diffusions-tight 5-layer multilayer pipe made of PE-RT/Al/PE-RT, with impermeable corrugated push-on tube attached at the factory made of PE-HD and additional 4mm closed-cell soft plastic insulation protective sleeve made of viscoplastic PE foil

Operating conditions according to classification of ÖNORM EN ISO 21003

Sanitary application - Class 2: 70°C - tmax 80°C/10 bar

Radiator connection - Class 5: 80°C - tmax 90°C/10 bar

Colour: blue

Rolled product



KE KELIT GmbH

A 4020 Linz, Ignaz-Mayer-Straße 17, Austria, Europe

PHONE +43 (0) 50 779 E-MAIL [office@kekelit.com](mailto:office@kekelit.com)

[www.kekelit.com](http://www.kekelit.com)

## Approvals:



# Specifications

## Article information

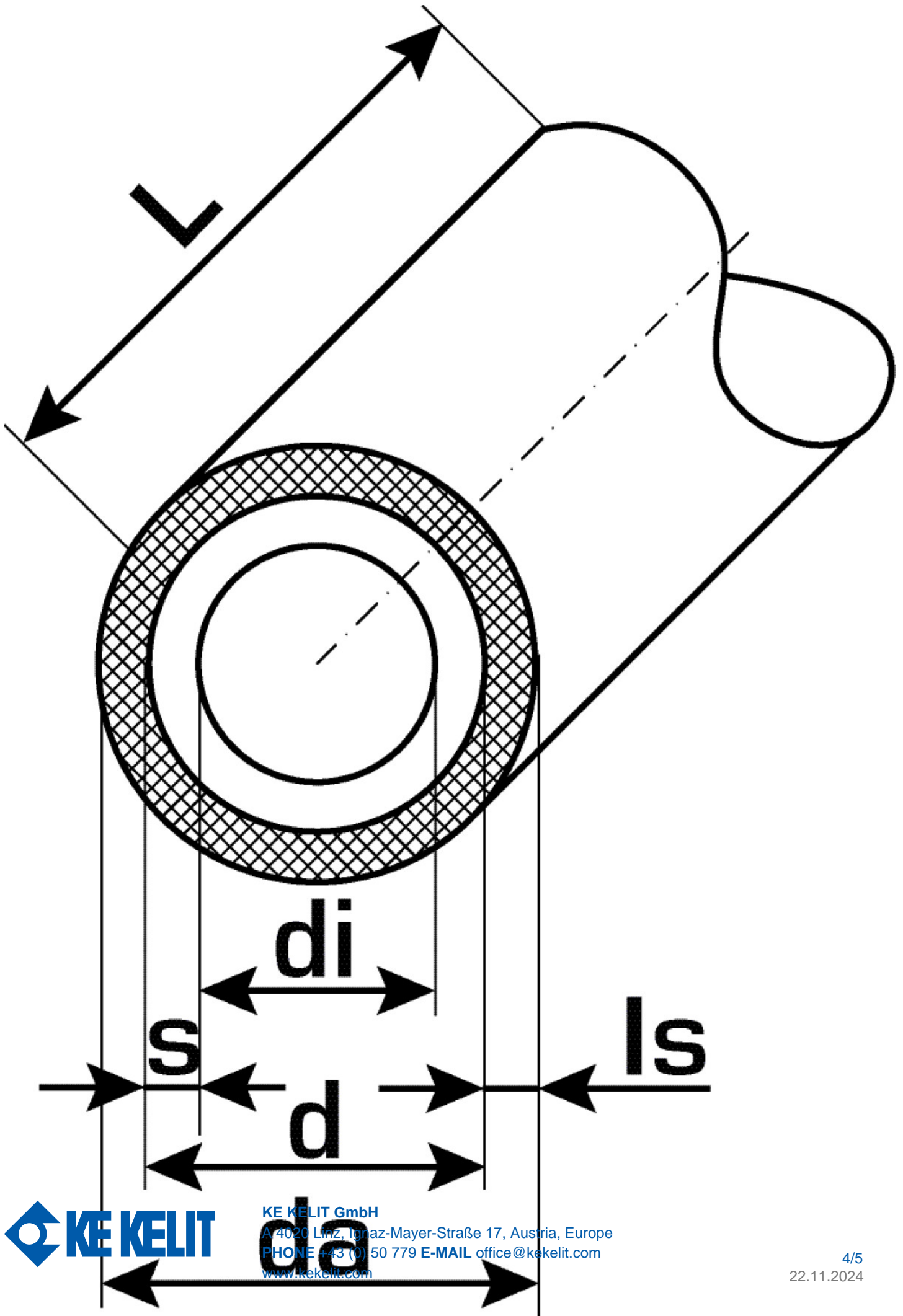
color	White
colour isolation	Blue
flexible	1
isolation	1

## Technical properties

maximum working pressure at 20 ° C	10 bar
thick thermal insulation	4 mm
pipe contents	0,113 l/m
lambda pipe	0,45 W/(m.K)
wall rawness	0,007 mm
expansion coefficient	0,025 mm/(m.K)

## Product information

VPE1	50,00 ROL
L	50 m
weight	0,230 KGM
text	KELOX pro plus pipe
INTRNR	39172110
main material group	KELOX
material group	KELOX isolierte pipes
code	KM144



Art. No	label	d1 mm	d Jacket tube mm	pipe contents l/m	s mm
1005164	16x2/25/4	16	28	0,113	2



**KE KELIT GmbH**

A 4020 Linz, Ignaz-Mayer-Straße 17, Austria, Europe

**PHONE** +43 (0) 50 779 **E-MAIL** [office@kekelit.com](mailto:office@kekelit.com)

[www.kekelit.com](http://www.kekelit.com)