

KELOX

KMU134 KELOX-ULTRAX protective-jacket pipe 20x2.25

7021204

Areas of application



?KELOX-ULTRAX multilayer pipe for CLIMATEFIX conforming to ÖNORM EN ISO 21003, an oxygen-tight and water vapour diffusion-resistant 5-layer PE-RT/Al/PE-RT composite pipe, with a factory-applied protective cover made of visco-plastic PE film

Application area: 60°C - tmax 70°C/10 bar

Protective jacket thickness: 4mm

Colour: green

Supplied in coils

ATTENTION: This is NOT a drinking water and radiator connection pipe!

Approvals:



Specifications

Article information

color White

colour isolation Green

flexible 1

isolation 1

Technical properties

maximum working pressure at 20 ° C 10 bar

thick thermal insulation 4 mm

pipe weight 0,19 kg/m

pipe contents 0,189 l/m

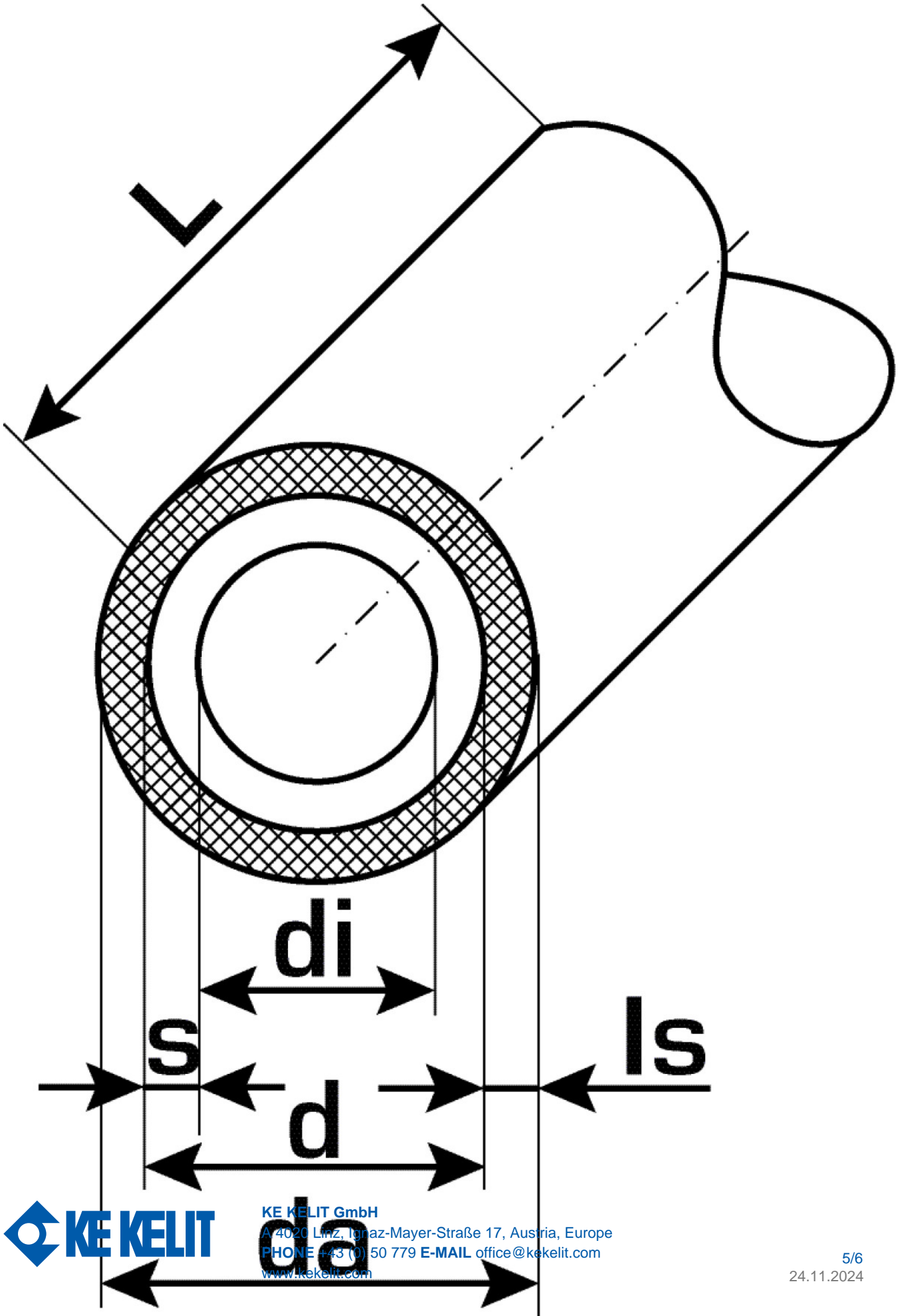
lambda pipe 0,45 W/(m.K)

wall rawness 0,007 mm

expansion coefficient 0,025 mm/(m.K)

Product information

VPE1	50,00 ROL
VPE2	850,00 PAL
L	50 m
weight	0,169 KGM
text	KELOX-ULTRAX protective-jacket pipe
INTRNR	39173900
main material group	KELOX
material group	KELOX-ULTRAX insulated pipes
code	KMU134



Art. No	label	d1 mm	d Jacket tube mm	pipe contents l/m	s mm
7021204	20x2.25	20	28	0,189	2,25



KE KELIT GmbH

A 4020 Linz, Ignaz-Mayer-Straße 17, Austria, Europe

PHONE +43 (0) 50 779 **E-MAIL** office@kekelit.com

www.kekelit.com