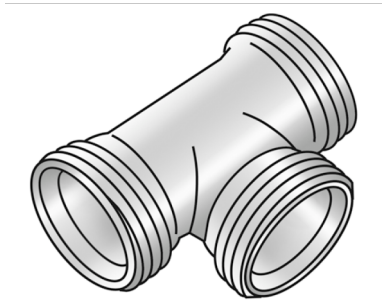


KELOX

KM340E KELOX threaded tee 3/4"

7706920

Areas of application



Connector tee piece, non-porous metallised brass with three male threads suitable for KM220 euro thread fitting

Approvals:



KE KELIT GmbH

A 4020 Linz, Ignaz-Mayer-Straße 17, Austria, Europe

PHONE +43 (0) 50 779 E-MAIL office@kekelit.com

www.kekelit.com

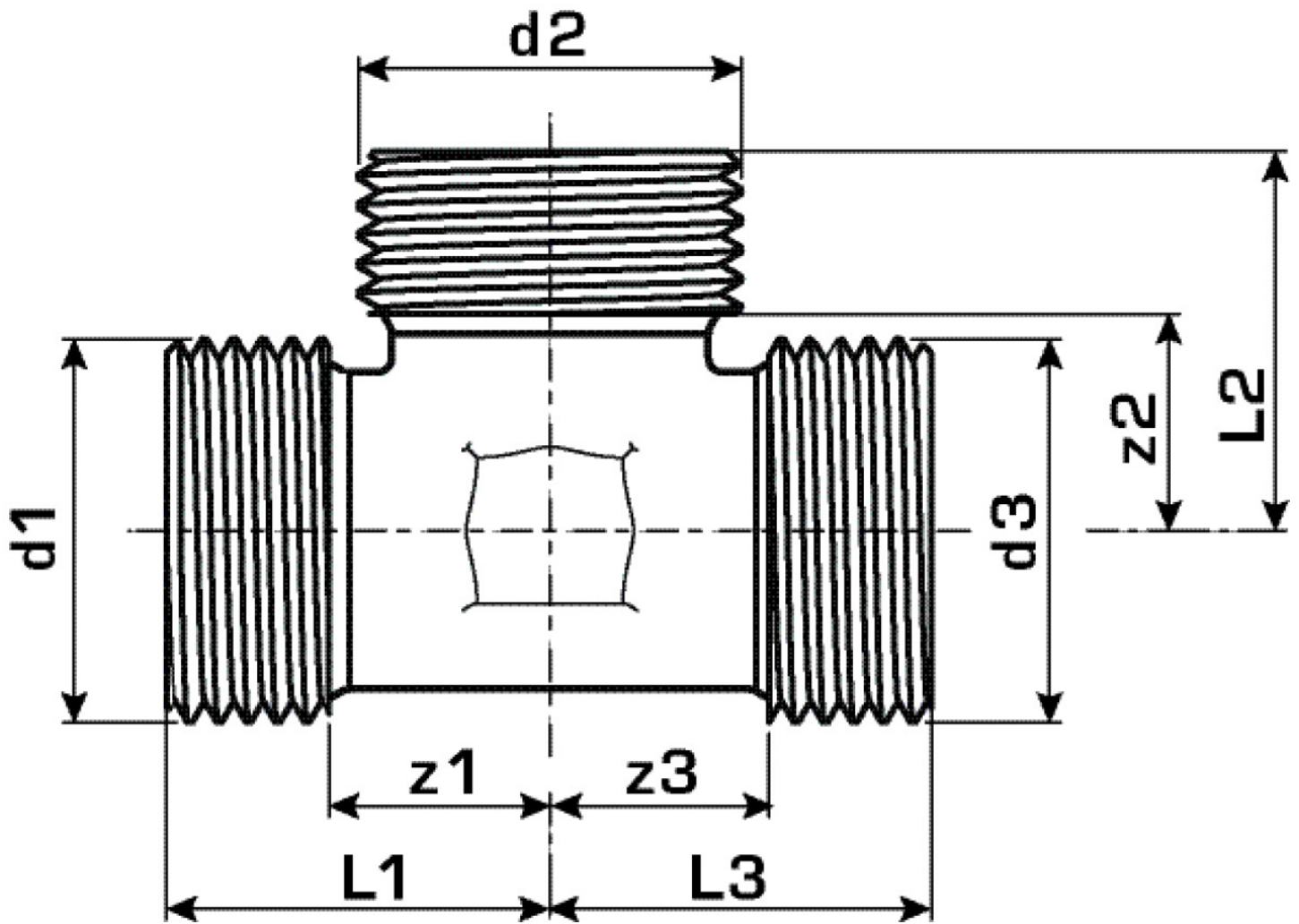
Specifications

Article information

| | |
|--------|--------------------|
| port 1 | Male thread metric |
| port 2 | Male thread |
| port 3 | Male thread |

Product information

| | |
|---------------------|----------------------|
| VPE1 | 10,00 KT1 |
| weight | 0,095 KGM |
| text | KELOX threaded tee |
| INTRNR | 74122000 |
| main material group | KELOX |
| material group | KELOX screw fittings |
| code | KM340E |



| Art. No | label | d1 | d2 | d3 | d1 | d3 | L1 | L2 | L3 | z1 | z2 | z3 |
|---------|-------|------|--------|------|--------|--------|----|----|----|----|----|----|
| | | | Inches | | Inches | Inches | mm | mm | mm | mm | mm | mm |
| 770692C | 3/4" | 3/4" | 3/4" | 3/4" | 3/4" | 3/4" | 26 | 26 | 26 | 19 | 19 | 19 |
| | | Zoll | (20) | Zoll | (20) | (20) | | | | | | |
| | | (20) | | (20) | | | | | | | | |