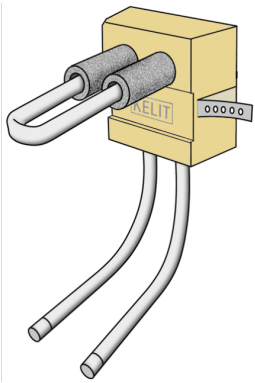


KELOX

KM547 KELOX flush-mounted wall block 16 type 3

9006520

Areas of application



?Insulating wall block for valve radiators to be installed before plaster work is done; including inlaid d16 KELOX multilayer pipes between the feed line and return line, for subsequent connection of the radiators, suitable for flush mounting

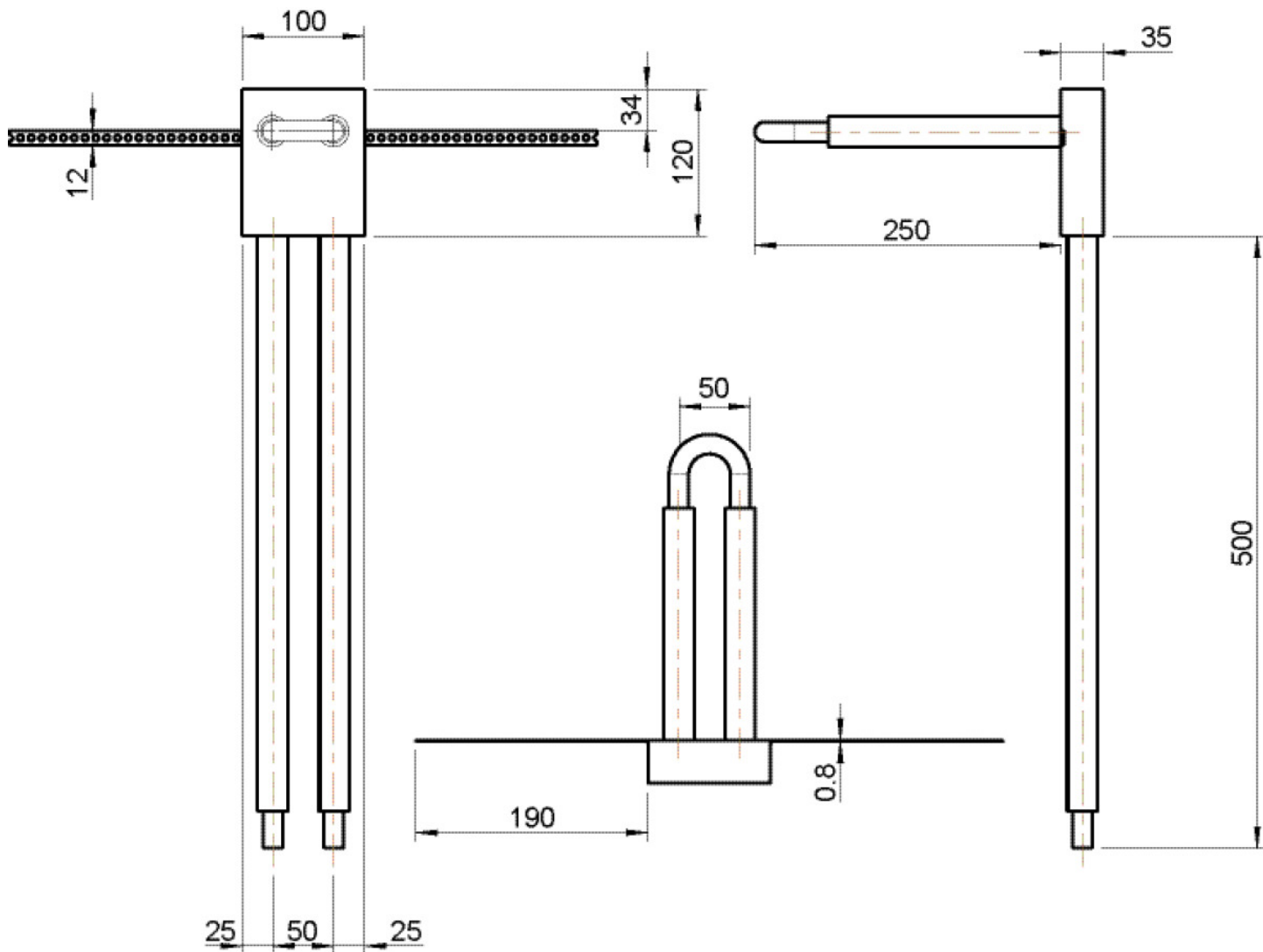
Type 1: W: 110mm, H: 200 mm, D: 50mm - pipe 500mm, elbow 150mm

Type 2: W: 100mm, H: 120 mm, D: 35mm - pipe 500mm, elbow 250mm

Type 3: W: 110mm, H: 200 mm, D: 50mm - pipe 500mm, elbow 250mm

Specifications

Product information	
VPE1	1,00 KT1
VPE2	10,00 KT2
weight	0,250 KGM
text	KELOX flush-mounted wall block
INTRNR	39174000
main material group	KELOX
material group	KELOX accessories
code	KM547



Art. No	label
9006520	16 type 3