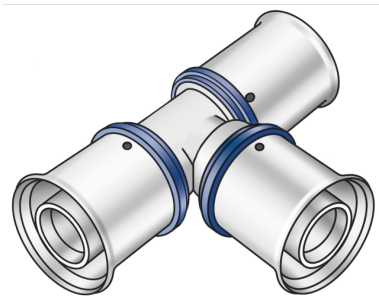


KELOX

KMU440 KELOX-ULTRAX tee 25/16/16

71110EBB

Areas of application



Press tee equal or reduced, made of non-porous metallized brass, incl. support sleeves with O-rings and steel or stainless steel press-fit sleeves, "leak before pressed"

Approvals:



Specifications

Article information

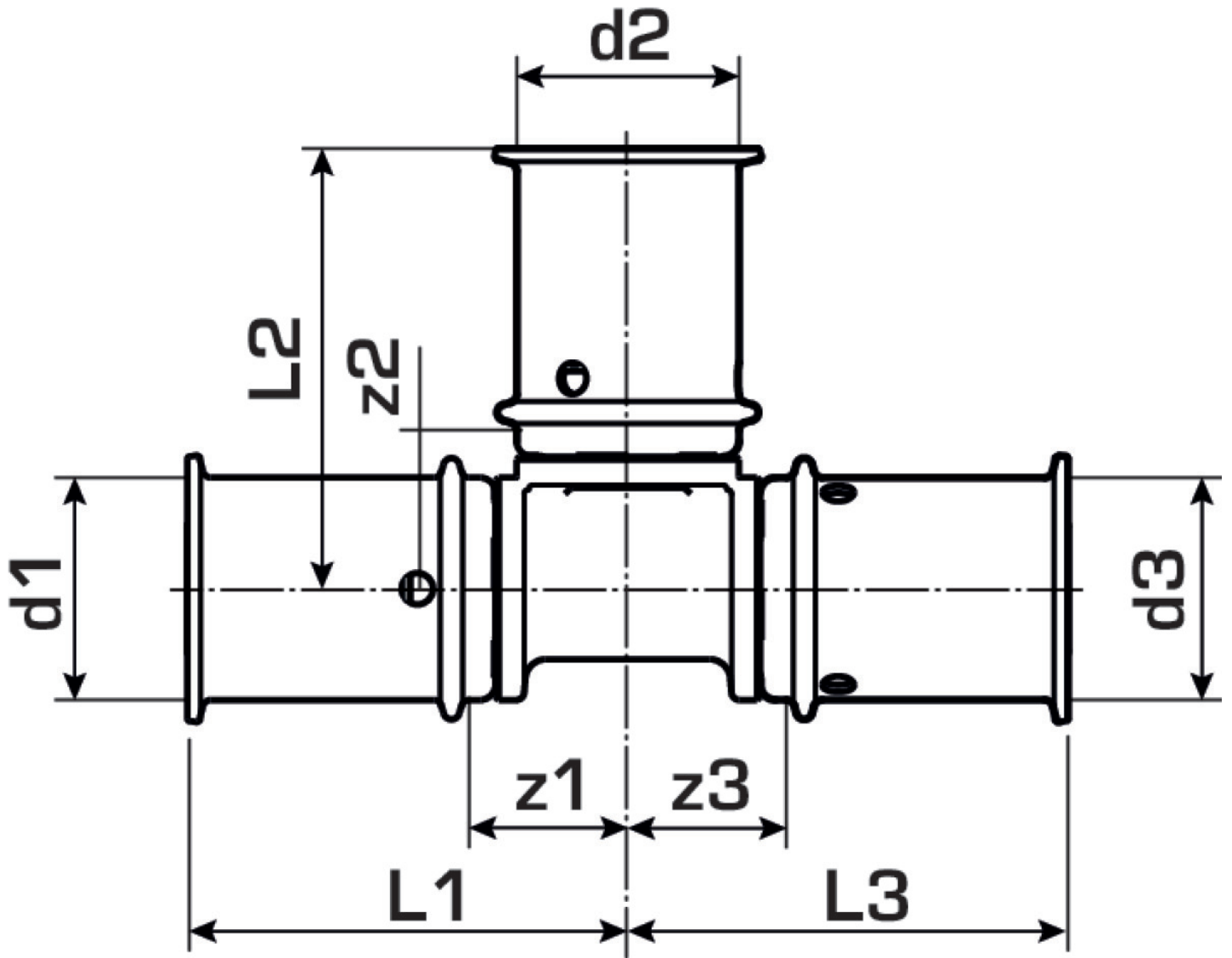
port 1	Pressing socket
port 2	Pressing socket
port 3	Pressing socket
execution	Tee piece
angle	90
press contour	U

Technical properties

maximum working pressure at 20 ° C	16 bar
------------------------------------	--------

Product information

VPE1	4 SA1
VPE2	60 KT1
weight	0,171 KGM
text	KELOX-ULTRAX tee
INTRNR	74122000
main material group	KELOX
material group	KELOX-ULTRAX metal fittings
code	KMU440



Art. No	label	d1 mm	d2 mm	d3 mm	L1	L2	L3	z1	z2	z3
71110EBE	25/16/16	25	16	16	51	40	41	18	17.5	18