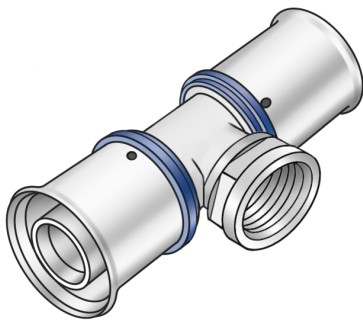


# KELOX

## KMU447 KELOX-ULTRAX adapter tee female 20x1/2"

71240D02

### Areas of application



Press tee with female thread adapter, made of non-porous metallised brass; including support sleeves with O-rings and stainless steel press-fit sleeves; "leak before pressed"  
DO NOT screw in any threaded pipes and cast iron fittings!

### Approvals:



KE KELIT GmbH

A 4020 Linz, Ignaz-Mayer-Straße 17, Austria, Europe

PHONE +43 (0) 50 779 E-MAIL [office@kekelit.com](mailto:office@kekelit.com)

[www.kekelit.com](http://www.kekelit.com)

# Specifications

## Article information

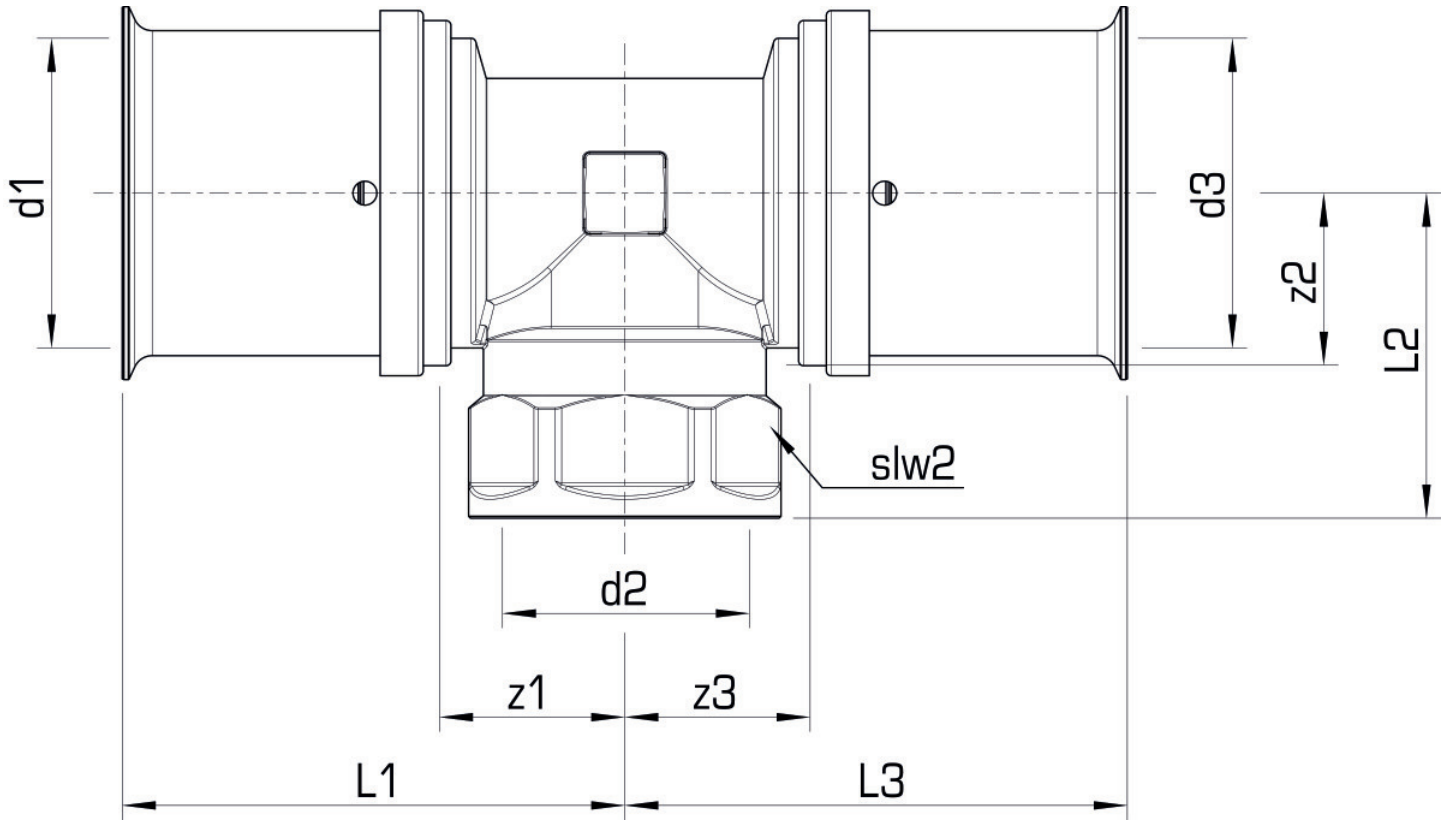
|               |                 |
|---------------|-----------------|
| port 1        | Pressing socket |
| port 2        | Female thread   |
| port 3        | Pressing socket |
| execution     | Tee piece       |
| angle         | 90 °            |
| press contour | U               |

## Technical properties

|                                    |        |
|------------------------------------|--------|
| maximum working pressure at 20 ° C | 16 bar |
|------------------------------------|--------|

## Product information

|                     |                                 |
|---------------------|---------------------------------|
| VPE1                | 10,00 SA1                       |
| VPE2                | 100,00 KT1                      |
| weight              | 0,135 KGM                       |
| text                | KELOX-ULTRAX adapter tee female |
| INTRNR              | 74122000                        |
| main material group | KELOX                           |
| material group      | KELOX-ULTRAX metal fittings     |
| code                | KMU447                          |



| Art. No | label   | d2 Inches    | d1 mm | d3 mm | L1 mm | L2 mm | L3 mm | z1 mm | z2 mm | z3 mm | slw1 mm |
|---------|---------|--------------|-------|-------|-------|-------|-------|-------|-------|-------|---------|
| 71240D0 | 20x1/2" | 1/2"<br>(15) | 20    | 20    | 43    | 29    | 43    | 17    | 13    | 17    | 24      |