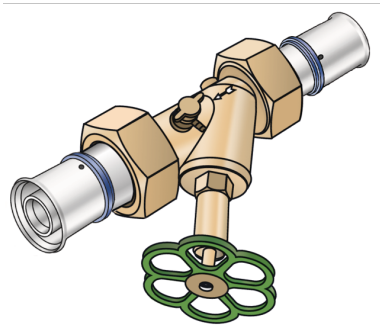


# KELOX

## KMU452 KELOX-ULTRAX slanted-seat valve 20-DN15

71233DD0

### Areas of application



Slanted-seat valve with ULTRAX press-fit threaded unions KMU455 top part free of dead space, flat-sealing incl. seal and drain outlet "leak before pressed"

### Approvals:



KE KELIT GmbH

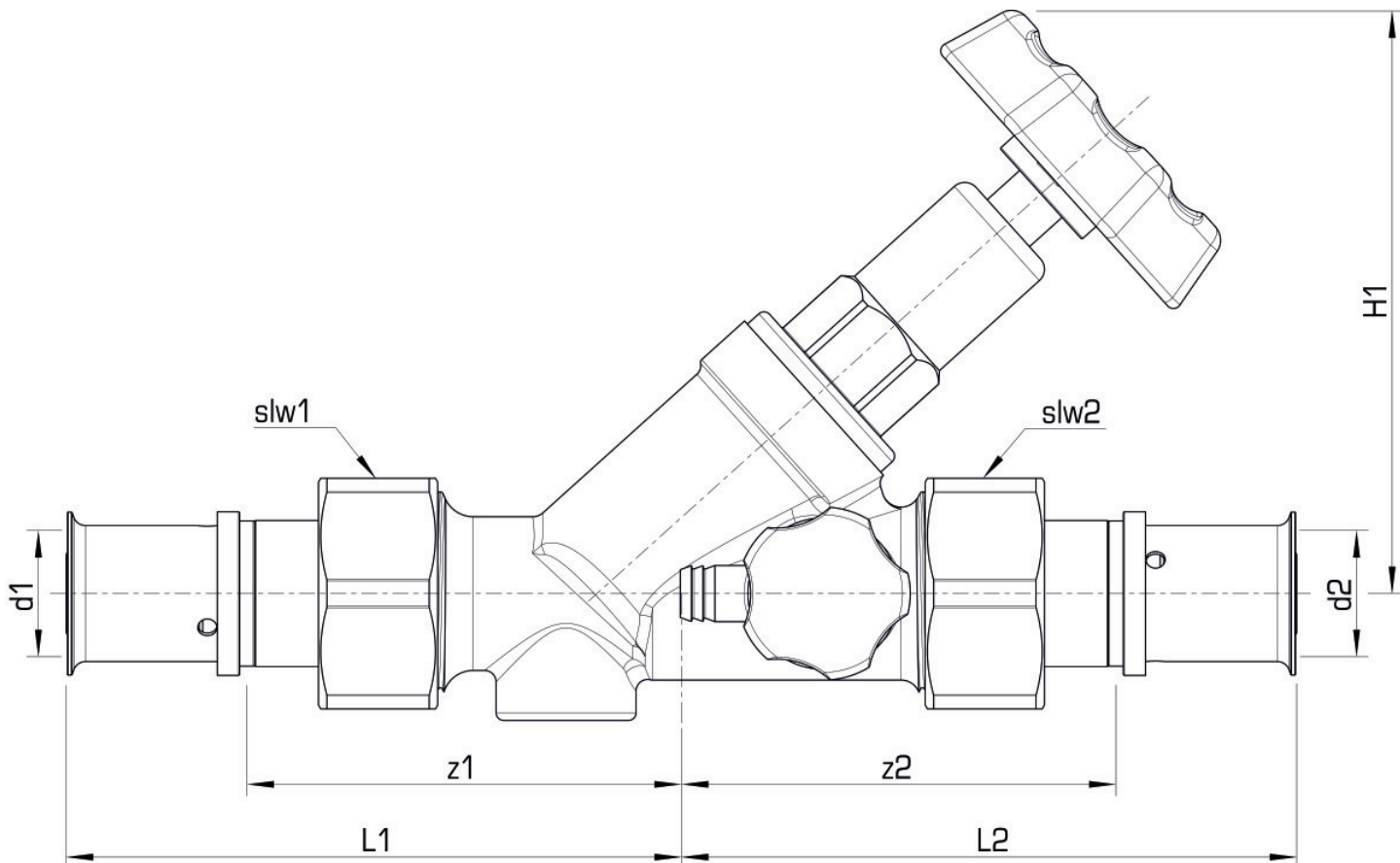
A 4020 Linz, Ignaz-Mayer-Straße 17, Austria, Europe

PHONE +43 (0) 50 779 E-MAIL [office@kekelit.com](mailto:office@kekelit.com)

[www.kekelit.com](http://www.kekelit.com)

# Specifications

Product information	
VPE1	1,00 SA1
VPE2	10,00 KT1
weight	0,536 KGM
text	KELOX-ULTRAX slanted-seat valve
INTRNR	74122000
main material group	KELOX
material group	KELOX-ULTRAX metal fittings
code	KMU452



Art. No	label	L1 mm	L2 mm	z1 mm	z2 mm	slw1 mm	slw2 mm
71233DD0	20-DN15	82	82	56	56	51	30