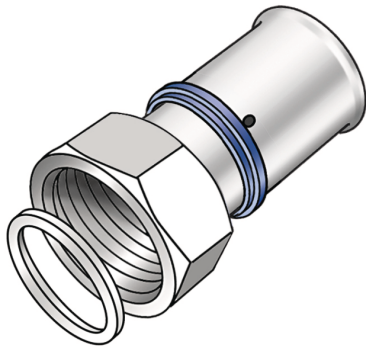


# KELOX

## KMU455 KELOX-ULTRAX union with female thread 20x3/4"

71203D04

### Areas of application



?Press-fit union with female thread for connection to fittings and devices such as filters, manifolds, pumps,..... made of non-porous metallised brass, incl. support sleeves with O-rings and stainless steel pressing sleeves, "leak before pressed", flat-sealing including seal

### Approvals:



KE KELIT GmbH

A 4020 Linz, Ignaz-Mayer-Straße 17, Austria, Europe

PHONE +43 (0) 50 779 E-MAIL [office@kekelit.com](mailto:office@kekelit.com)

[www.kekelit.com](http://www.kekelit.com)

# Specifications

## Article information

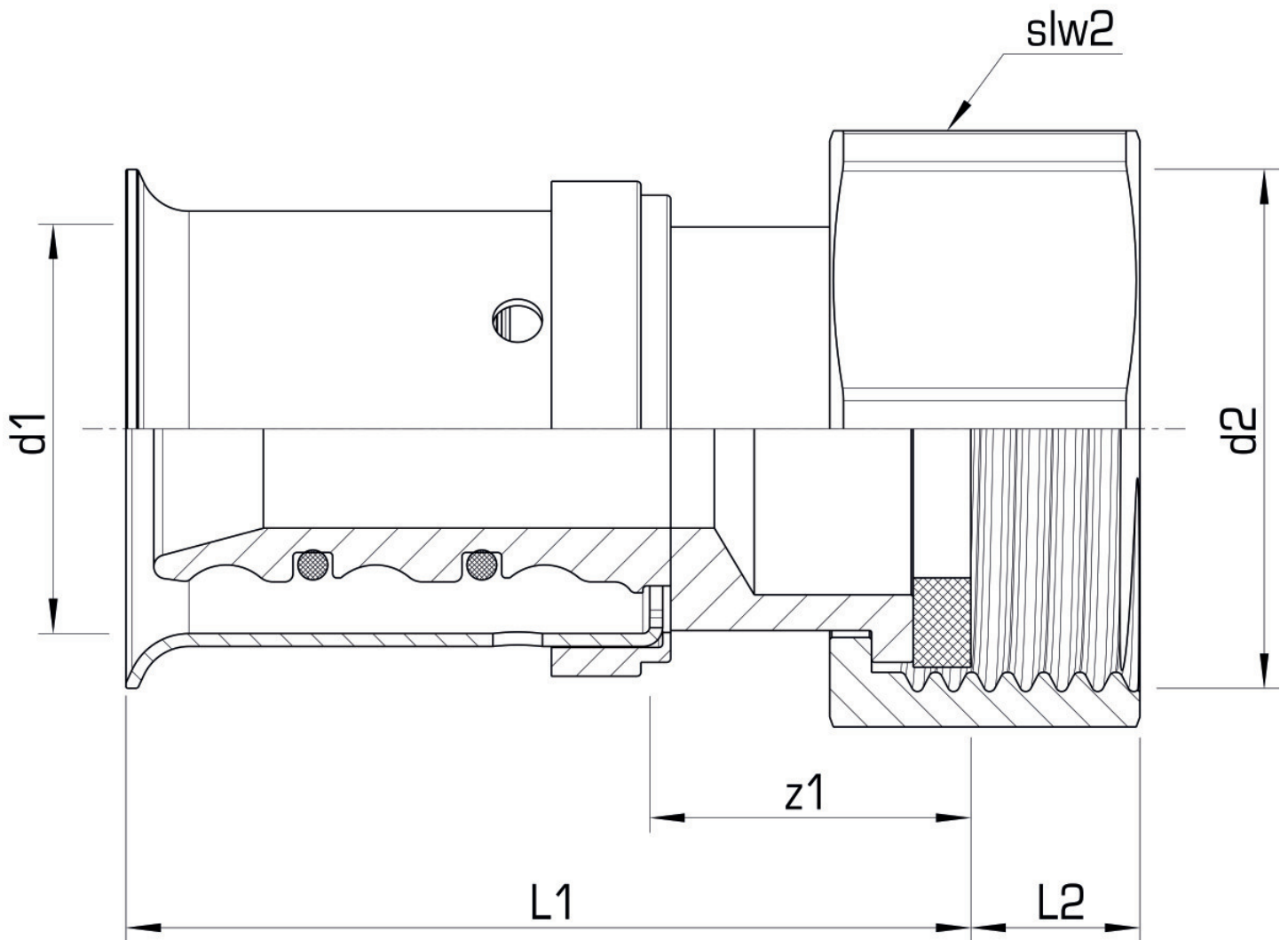
port 1	Pressing socket
port 2	Union nut
execution	2-part
design	Straight
press contour	U

## Technical properties

maximum working pressure at 20 ° C	10 bar
------------------------------------	--------

## Product information

VPE1	10,00 SA1
VPE2	200,00 KT1
weight	0,067 KGM
text	KELOX-ULTRAX union with female thread
INTRNR	74122000
main material group	KELOX
material group	KELOX-ULTRAX metal fittings
code	KMU455



Art. No	label	d2 Inches	d1 mm	L1 mm	L2 mm	z1 mm	slw2 mm
71203D04	20x3/4"	3/4" (20)	20	42,5	8,5	16,5	30