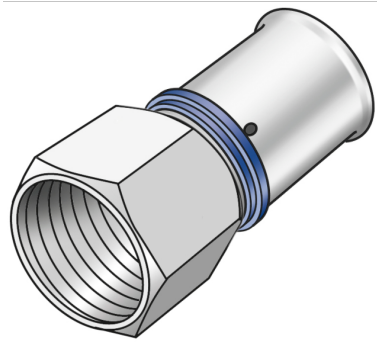


# KELOX

## KMU457 KELOX-ULTRAX adapter female 32x5/4"

71206F06

### Areas of application



Press adapter with female thread, made of non-porous metallised brass; including support sleeves with O-rings and stainless steel d16-50mm press-fit sleeves; "leak before pressed"  
DO NOT screw in any threaded pipes and cast iron fittings!

### Approvals:



# Specifications

## Article information

|               |   |
|---------------|---|
| port 1        | Pressing socket                             |
| port 2        | Female thread cylindrical BSPT-Rp (ISO 7-1) |
| execution     | 1-part                                      |
| design        | Straight                                    |
| press contour | U   |

## Technical properties

|                                    |        |
|------------------------------------|--------|
| maximum working pressure at 20 ° C | 10 bar |
|------------------------------------|--------|

## Product information

|                     |                             |
|---------------------|-----------------------------|
| VPE1                | 8,00 SA1                    |
| VPE2                | 56,00 KT1                   |
| weight              | 0,225 KGM                   |
| text                | KELOX-ULTRAX adapter female |
| INTRNR              | 74122000                    |
| main material group | KELOX                       |
| material group      | KELOX-ULTRAX metal fittings |
| code                | KMU457                      |



| Art. No  | label   | d2 Inches | d1 mm | L1 mm | L2 mm | z1 mm | slw2 mm |
|----------|---------|-----------|-------|-------|-------|-------|---------|
| 71206F06 | 32x5/4" | 1 1/4"    | 32    | 42    | 22    | 9     | 46      |