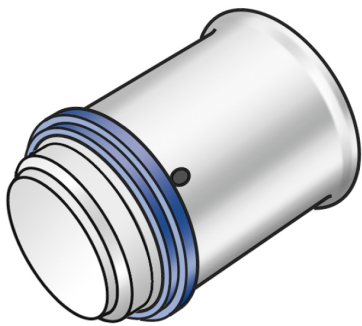


KELOX

KMU471 KELOX-ULTRAX end cap 20

71120D00

Areas of application



?Press-fit end cap, made of non-porous metallised brass, incl. support sleeves with O-rings and stainless steel pressing sleeves, "leak before pressed"

Approvals:



Specifications

Article information

port 1 Pressing socket

press contour U

Product information

VPE1 10,00 SA1

VPE2 200,00 KT1

weight 0,041 KGM

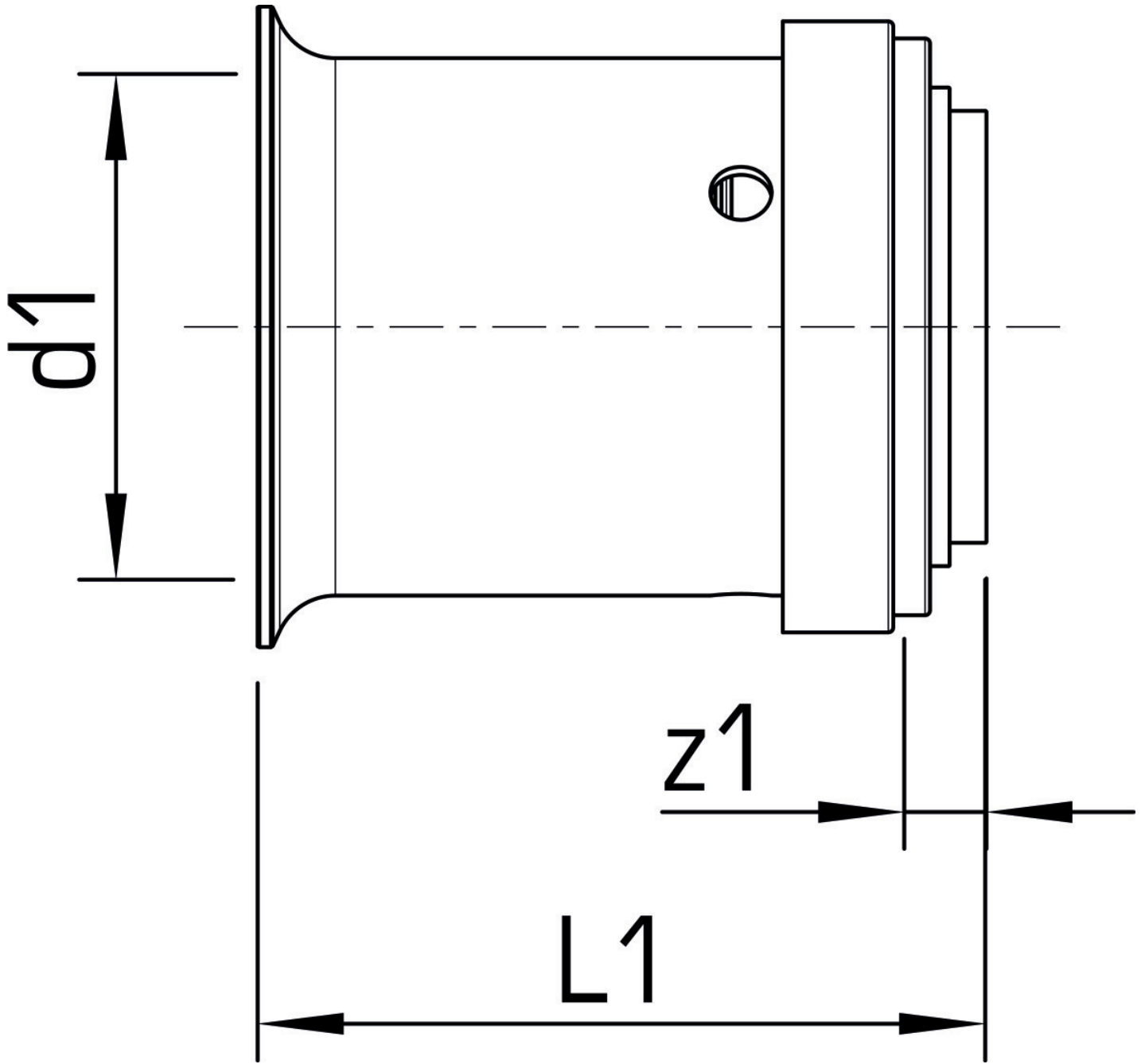
text KELOX-ULTRAX end cap

INTRNR 74122000

main material group KELOX

material group KELOX-ULTRAX metal fittings

code KMU471



Art. No	label	d1 mm	L1 mm	z1 mm
71120D00	20	20	24	7