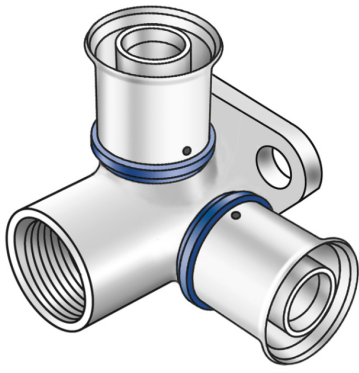


# KELOX

## KMU475 KELOX-ULTRAX fitting connection tee with female thread 16x1/2"

71252B2B

### Areas of application



Press fitting connection tee with female thread made of non-porous metallised brass; including support sleeves with O-rings and stainless steel press-fit sleeves; "leak before pressed"

DO NOT screw in any threaded pipes and cast iron fittings!

Overall height:

1/2" - 46mm

## Approvals:



# Specifications

## Article information

port 1 Pressmuffe

## Product information

VPE1	10,00 SA1
VPE2	80,00 KT1
weight	0,239 KGM
text	KELOX-ULTRAX fitting connection tee with female thread
INTRNR	74122000
main material group	KELOX
material group	KELOX-ULTRAX metal fittings
code	KMU475

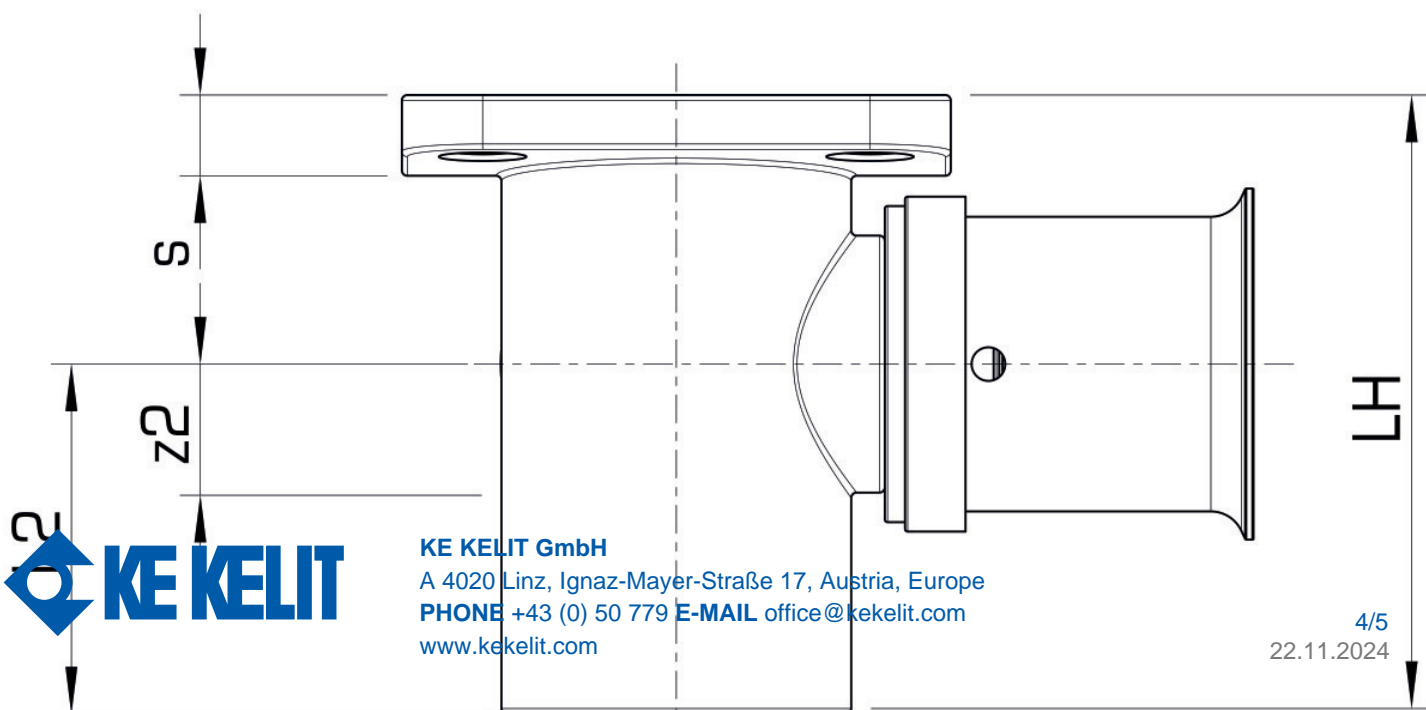
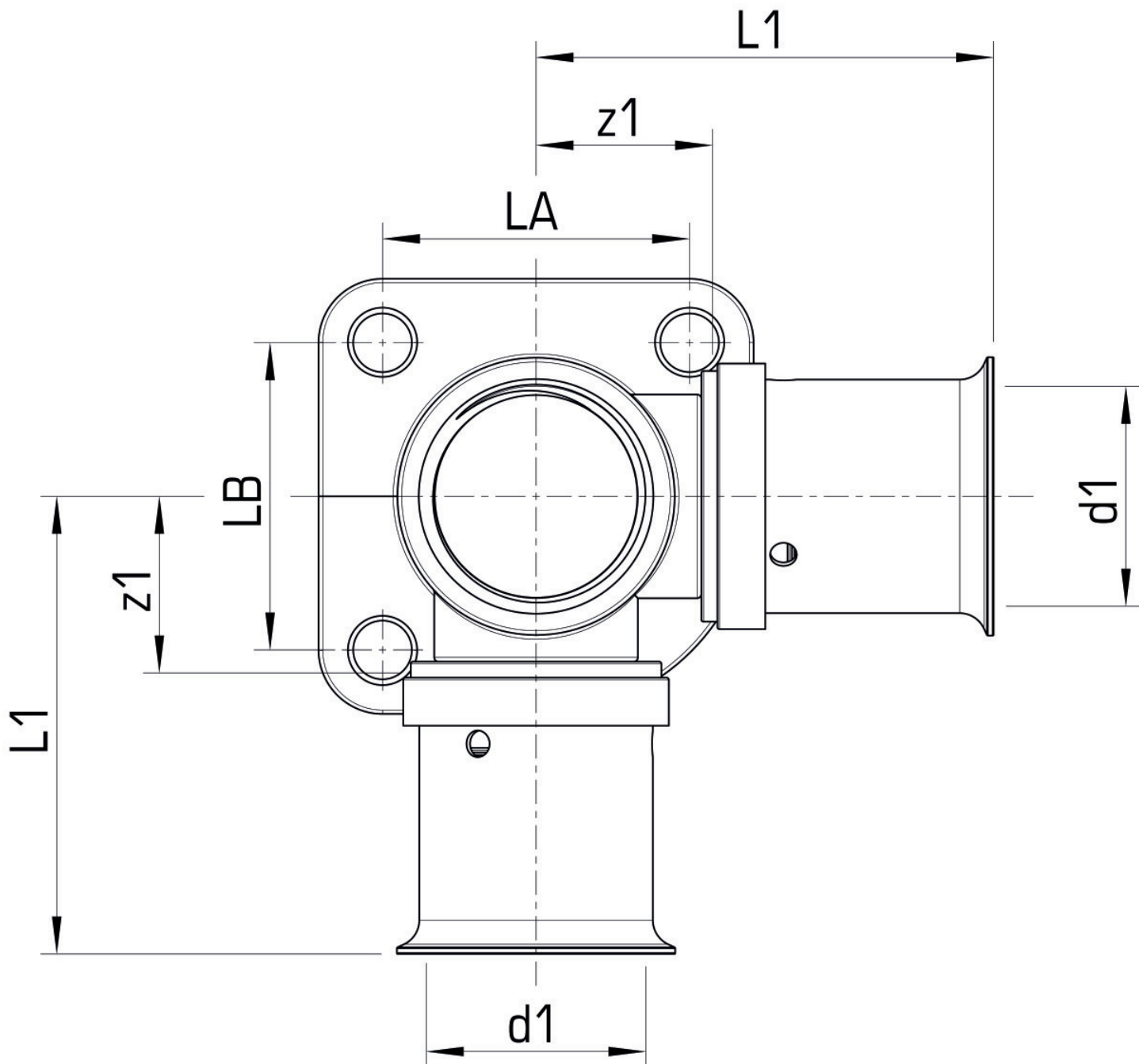


**KE KELIT GmbH**

A 4020 Linz, Ignaz-Mayer-Straße 17, Austria, Europe

PHONE +43 (0) 50 779 E-MAIL [office@kekelit.com](mailto:office@kekelit.com)

[www.kekelit.com](http://www.kekelit.com)



**KE KELIT GmbH**  
 A 4020 Linz, Ignaz-Mayer-Straße 17, Austria, Europe  
**PHONE** +43 (0) 50 779 **E-MAIL** office@kekELIT.com  
[www.kekELIT.com](http://www.kekELIT.com)

Art. No	label	d1 mm	L1 mm	L2 mm	L3 mm	z1 mm	z2 mm	z3 mm
71252B2B	16x1/2"	16	40	40	26	17,5	17,5	8



**KE KELIT GmbH**

A 4020 Linz, Ignaz-Mayer-Straße 17, Austria, Europe

**PHONE** +43 (0) 50 779 **E-MAIL** [office@kekelit.com](mailto:office@kekelit.com)

[www.kekelit.com](http://www.kekelit.com)