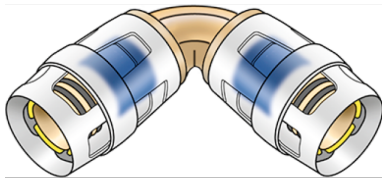


KELOX

KMP420Z ?KELOX-PROTEC zeta elbow 90° 25

73104EE0

Areas of application



Zeta value-optimised push-in elbow 90°, made of dezincification-resistant brass (DZR), incl. push-on sleeve made of transparent polyamide, O-rings, withdrawal barriers and a protector ring as an insertion locking device

Approvals:



KE KELIT GmbH

A 4020 Linz, Ignaz-Mayer-Straße 17, Austria, Europe

PHONE +43 (0) 50 779 E-MAIL office@kekelit.com

www.kekelit.com

Specifications

Article information

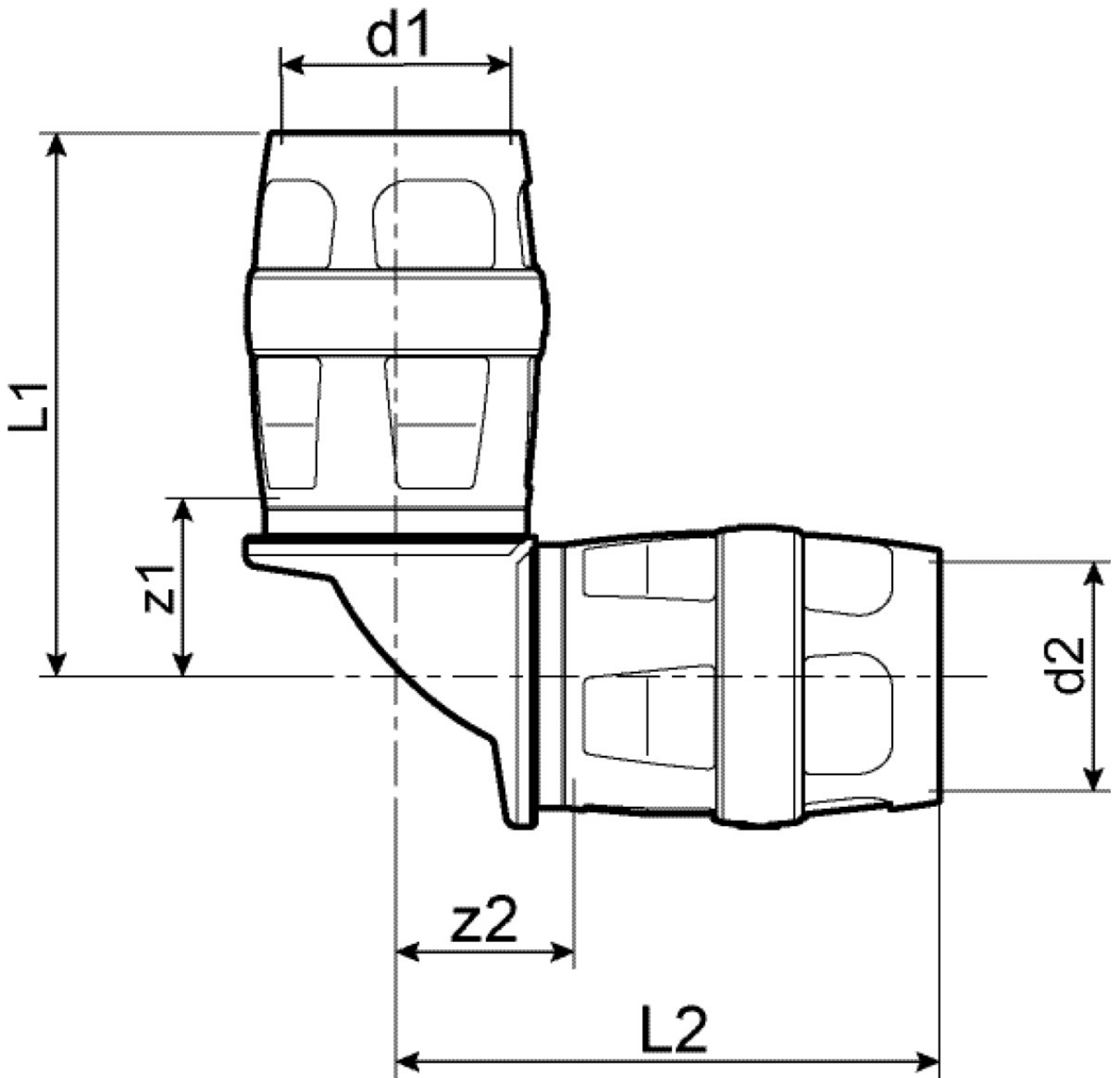
| | |
|-----------|---------------|
| port 1 | Plug-in |
| port 2 | Plug-in |
| execution | Miscellaneous |
| design | Knee |
| angle | 90 ° |

Technical properties

| | |
|------------------------------------|--------|
| maximum working pressure at 20 ° C | 10 bar |
|------------------------------------|--------|

Product information

| | |
|---------------------|------------------------------|
| VPE1 | 10,00 SA1 |
| VPE2 | 60,00 KT1 |
| weight | 0,198 KGM |
| text | ?KELOX-PROTEC zeta elbow 90° |
| INTRNR | 74122000 |
| main material group | KELOX |
| material group | KELOX-PROtec pushfittings |
| code | KMP420Z |



| Art. No | label | d1 mm | d2 mm | L1 mm | L2 mm | z1 mm | z2 mm |
|----------|-------|-------|-------|-------|-------|-------|-------|
| 73104EE0 | 25 | 25 | 25 | 59 | 59 | 20 | 20 |