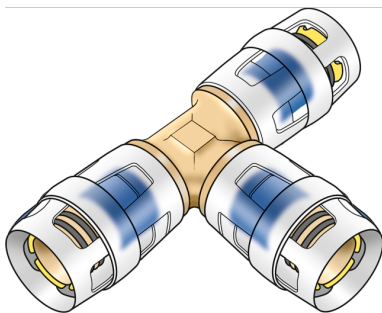


KELOX

KMP440Z ?KELOX-PROTEC zeta tee 16/16/16

73111BBB

Areas of application



?Zeta value-optimised push-in push tee equal or reduced, made of dezincification-resistant brass (DZR), incl. push-on sleeve made of transparent polyamide, O-rings, pull-out barriers and a protector ring as an insertion locking device

Approvals:



KE KELIT GmbH

A 4020 Linz, Ignaz-Mayer-Straße 17, Austria, Europe

PHONE +43 (0) 50 779 E-MAIL office@kekelit.com

www.kekelit.com

Specifications

Article information

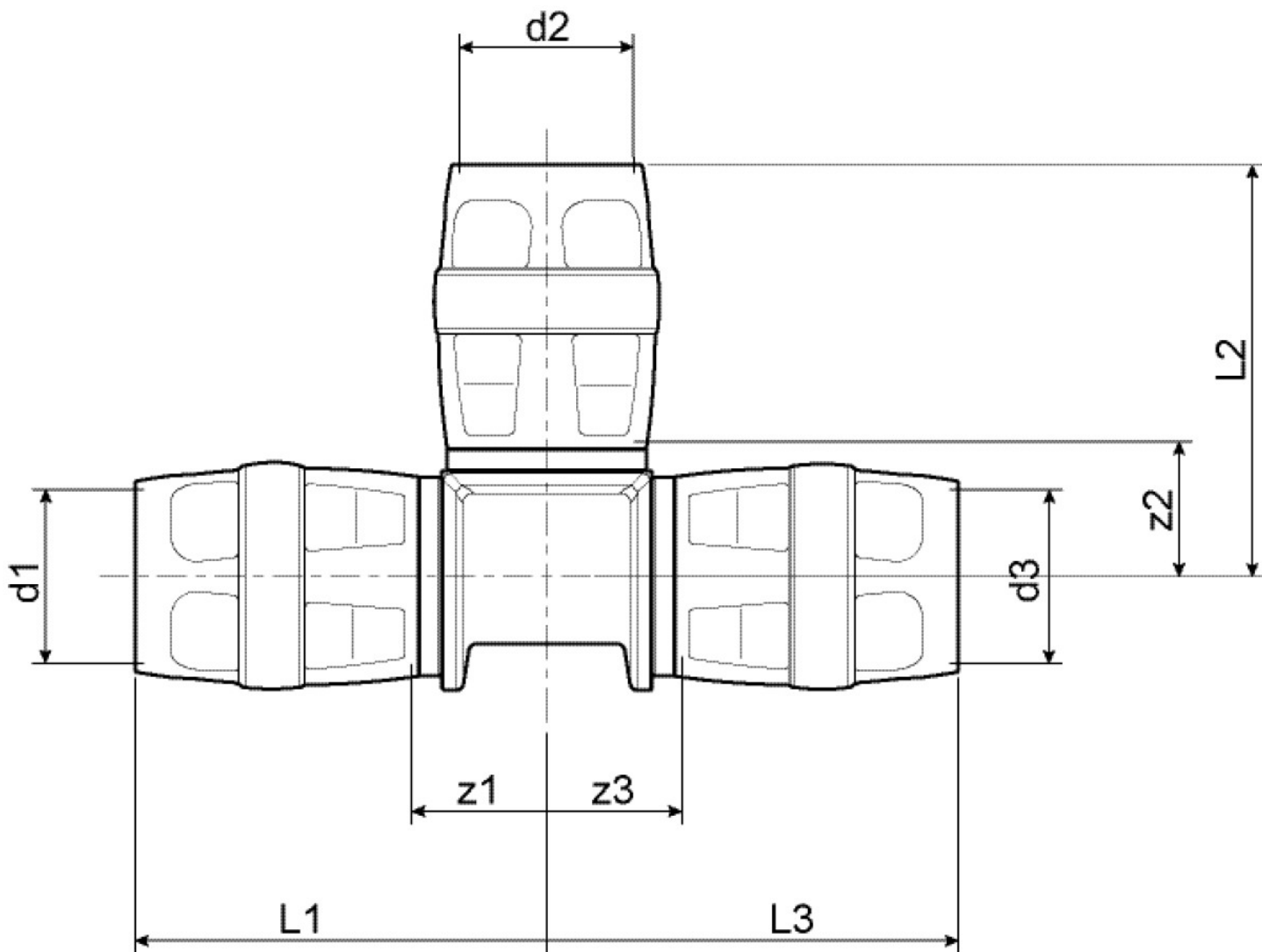
| | |
|-----------|-----------|
| port 1 | Plug-in |
| port 2 | Plug-in |
| port 3 | Plug-in |
| execution | Tee piece |
| angle | 90 ° |

Technical properties

| | |
|------------------------------------|--------|
| maximum working pressure at 20 ° C | 10 bar |
|------------------------------------|--------|

Product information

| | |
|---------------------|---------------------------|
| VPE1 | 10,00 SA1 |
| VPE2 | 100,00 KT1 |
| weight | 0,080 KGM |
| text | ?KELOX-PROTEC zeta tee |
| INTRNR | 74122000 |
| main material group | KELOX |
| material group | KELOX-PROtec pushfittings |
| code | KMP440Z |



| Art. No | label | d1 mm | d2 mm | d3 mm | L1 mm | L2 mm | L3 mm | z1 mm | z2 mm | z3 mm |
|----------|----------|-------|-------|-------|-------|-------|-------|-------|-------|-------|
| 73111BBE | 16/16/16 | 16 | 16 | 16 | 46,5 | 46,5 | 46,5 | 13,5 | 13,5 | 13,5 |