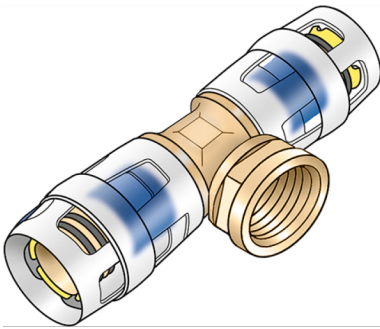


KELOX

KMP447 KELOX-PROTEC adapter tee female 16x1/2"

73240B02

Areas of application



Push-in tee with female thread, made of dezincification-resistant brass (DZR); incl. push-on sleeve made of transparent polyamide, O-rings, withdrawal barriers and protector ring as insertion locking device

DO NOT screw in any threaded pipes and cast iron fittings!

Approvals:



Specifications

Article information

| | |
|-----------|----------------------|
| port 1 | Plug-in |
| port 2 | Female thread metric |
| port 3 | Plug-in |
| execution | Tee piece |
| angle | 90 ° |

Technical properties

| | |
|------------------------------------|--------|
| maximum working pressure at 20 ° C | 10 bar |
|------------------------------------|--------|

Product information

| | |
|---------------------|---------------------------------|
| VPE1 | 10,00 SA1 |
| VPE2 | 100,00 KT1 |
| weight | 0,123 KGM |
| text | KELOX-PROTEC adapter tee female |
| INTRNR | 74122000 |
| main material group | KELOX |
| material group | KELOX-PROtec pushfittings |
| code | KMP447 |



| Art. No | label | d2 | d1 mm | d3 mm | L1 mm | L2 mm | L3 mm | z1 mm | z2 mm | z3 mm | slw1 mm |
|---------|---------|--------------|-------|-------|-------|-------|-------|-------|-------|-------|---------|
| 73240B0 | 16x1/2" | 1/2" (15) | 16 | 16 | 50,5 | 26 | 50,5 | 17,5 | 12,5 | 17,5 | 24 |