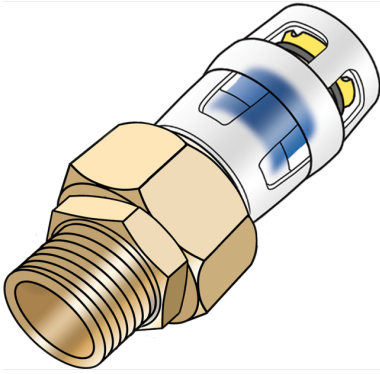


# KELOX

## KMP451 KELOX-PROTEC union with male thread 25x3/4"

73241E04

### Areas of application



Plug-in union with male thread made from stainless steel, thread as per ÖNORM EN 10226, for connecting to fittings, made of dezincification-resistant brass (DZR), including push-on sleeve made of transparent polyamide, O-rings, withdrawal barriers and a protector ring as an insertion locking device; flat-sealing including seal

## Approvals:



# Specifications

## Article information

port 1	Plug-in
port 2	Male thread metric
design	Miscellaneous

## Technical properties

maximum working pressure at 20 ° C	10 bar
------------------------------------	--------

## Product information

VPE1	10,00 SA1
VPE2	50,00 KT1
weight	0,297 KGM
text	KELOX-PROTEC union with male thread
INTRNR	74122000
main material group	KELOX
material group	KELOX-PROtec pushfittings
code	KMP451



Art. No	label	d1 mm	L1 mm	z1 mm	z2 mm	slw1 mm
73241E04	25x3/4"	25	60	18	42	38