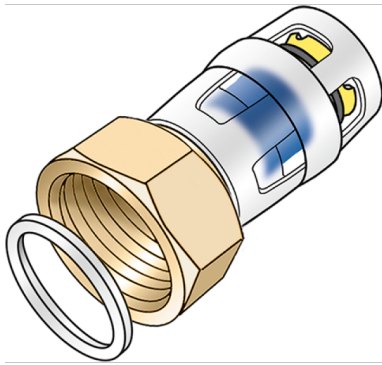


KELOX

KMP455 KELOX-PROTEC union with female thread 32x3/4"

73203F04

Areas of application



Plug-in screw fitting with female thread for connecting to fittings, e.g. filters, manifolds, pumps,..... made of dezincification-resistant brass (DZR), incl. push-on sleeve made of transparent polyamide, O-rings, withdrawal barriers and protector ring as insertion locking device; flat-sealing including seal

Approvals:



Specifications

Article information

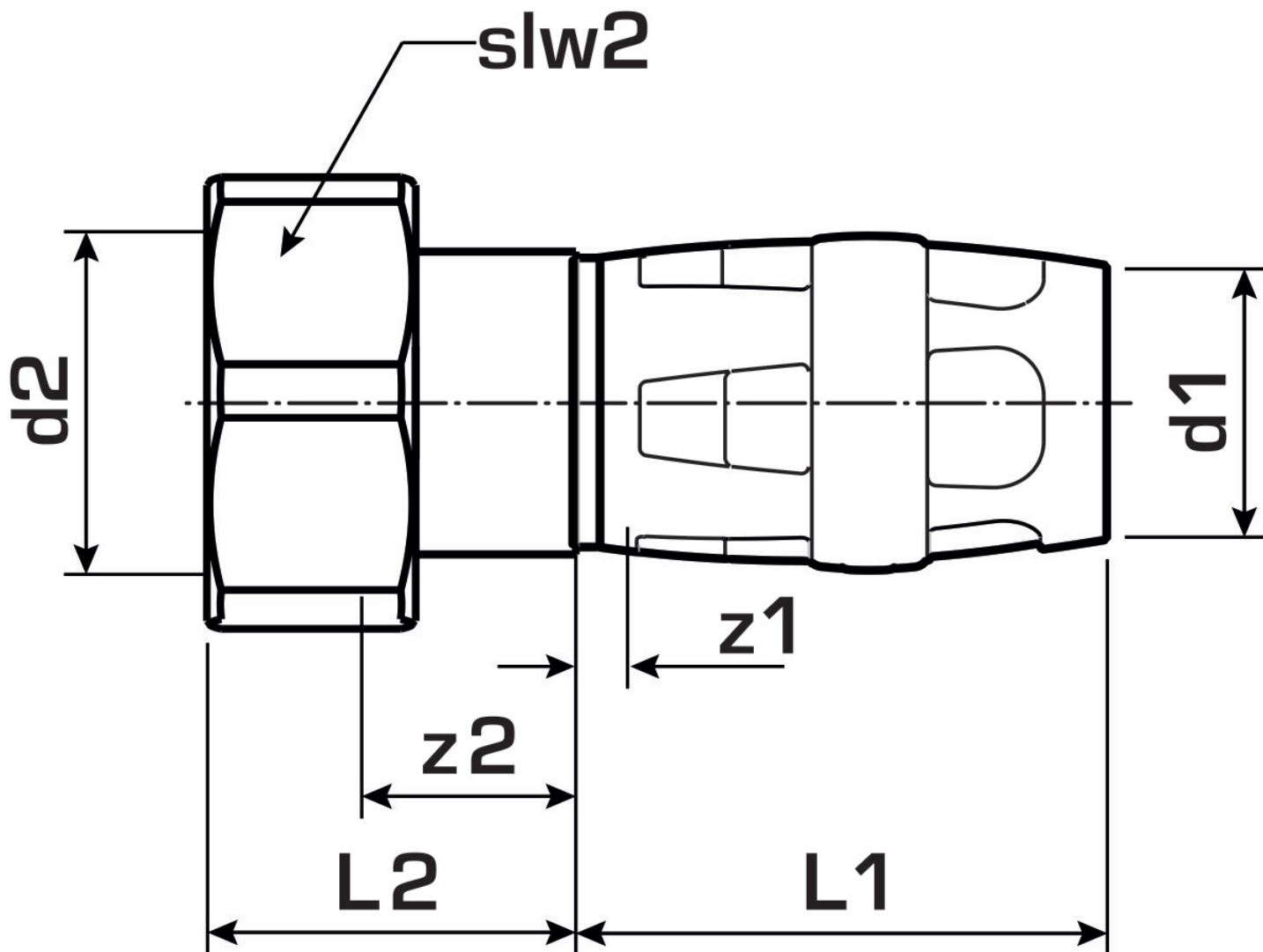
port 1	Plug-in
port 2	Female thread cylindrical BSPT-Rp (ISO 7-1)
design	Straight

Technical properties

maximum working pressure at 20 ° C	10 bar
------------------------------------	--------

Product information

VPE1	8,00 SA1
VPE2	56,00 KT1
weight	0,326 KGM
text	?KELOX-PROTEC union with female thread
INTRNR	74122000
main material group	KELOX
material group	KELOX-PROtec pushfittings
code	KMP455



Art. No	label	d2	d1 mm	L1 mm	L2 mm	z1 mm	z2 mm	slw1 mm
73203F04	32x3/4"	3/4" (20)	32	42,5	30	4,5	19	47