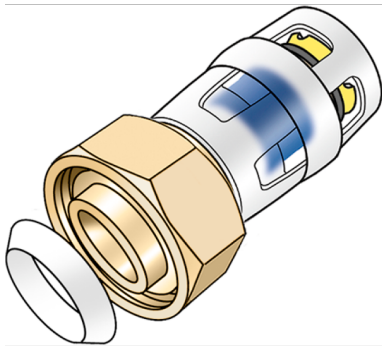


# KELOX

## KMP455K KELOX-PROTEC union with female thread and wedge seal 20x1/2"

73204D02

### Areas of application



Plug-in screw fitting with female thread for connecting to fittings, or threaded nipples made of dezincification-resistant brass (DZR), incl. push-on sleeve made of transparent polyamide, O rings, withdrawal barriers and protector ring as insertion locking device, incl. wedge seal

### Approvals:



# Specifications

## Article information

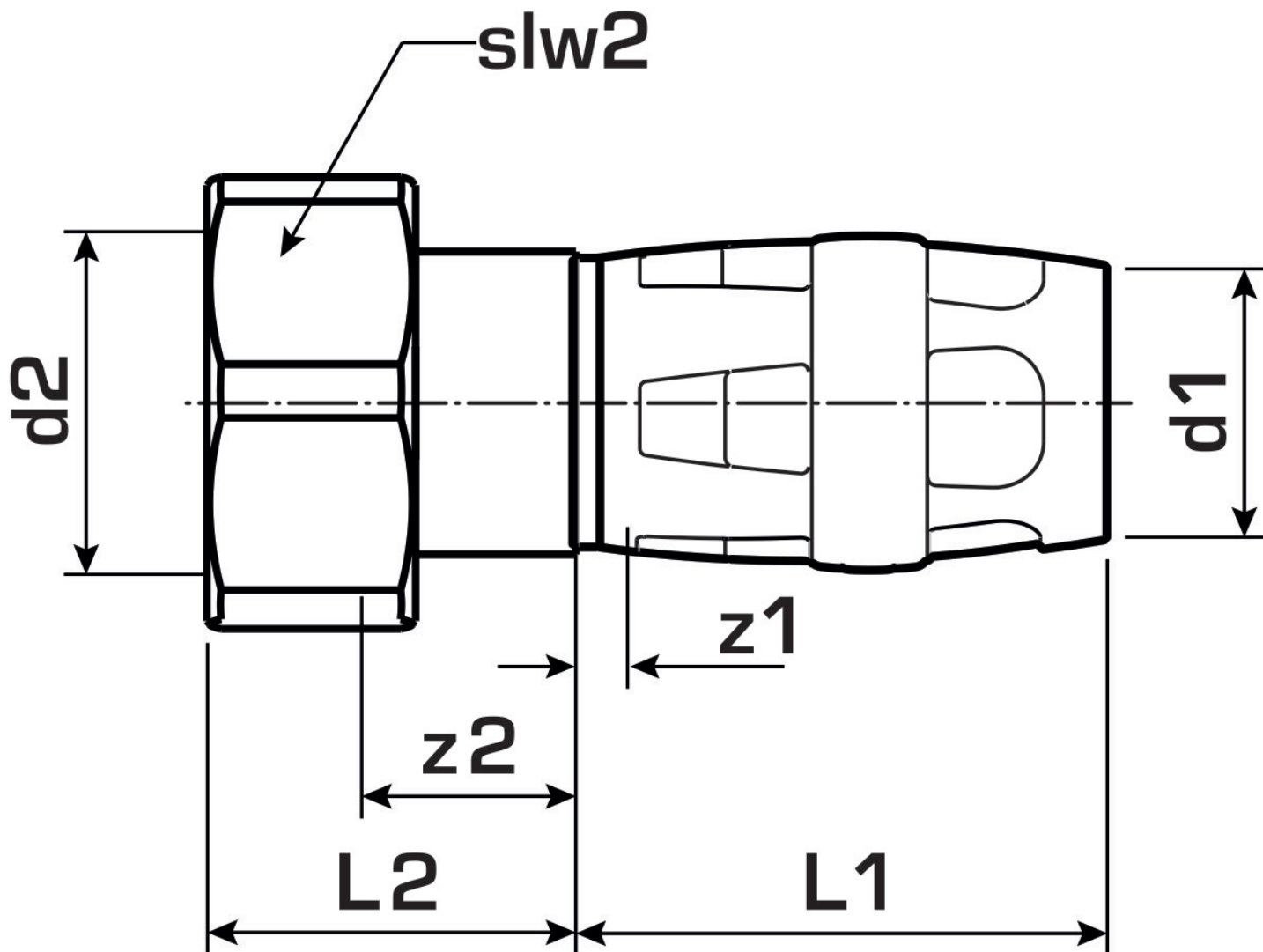
port 1	Plug-in
port 2	Female thread cylindrical BSPT-Rp (ISO 7-1)
design	Straight

## Technical properties

maximum working pressure at 20 ° C	10 bar
------------------------------------	--------

## Product information

VPE1	10,00 SA1
VPE2	170,00 KT1
weight	0,106 KGM
text	KELOX-PROTEC union with female thread and wedge seal
INTRNR	74122000
main material group	KELOX
material group	KELOX-PROtec pushfittings
code	KMP455K



Art. No	label	d2	d1 mm	L1 mm	L2 mm	z1 mm	z2 mm	slw1 mm
73204D02	20x1/2"	1/2" (15)	20	36	24,5	3	20	30