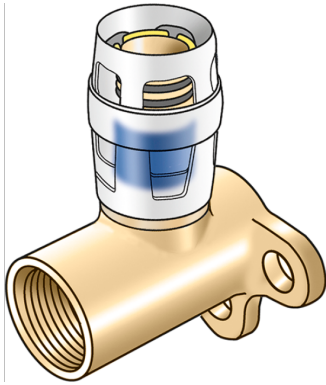


# KELOX

## KMP480 KELOX-PROTEC wall bracket fitting with female thread 20x1/2"

73250D02

### Areas of application



Plug-in wall bracket fitting with female thread, made of dezincification-resistant brass (DZR), incl. push-on sleeve made of transparent polyamide, O-rings, withdrawal barriers and a protector ring as an insertion locking device

Overall height:

1/2" - 46mm

3/4" - 49mm

DO NOT screw in any threaded pipes and cast iron fittings!

## Approvals:



# Specifications

## Article information

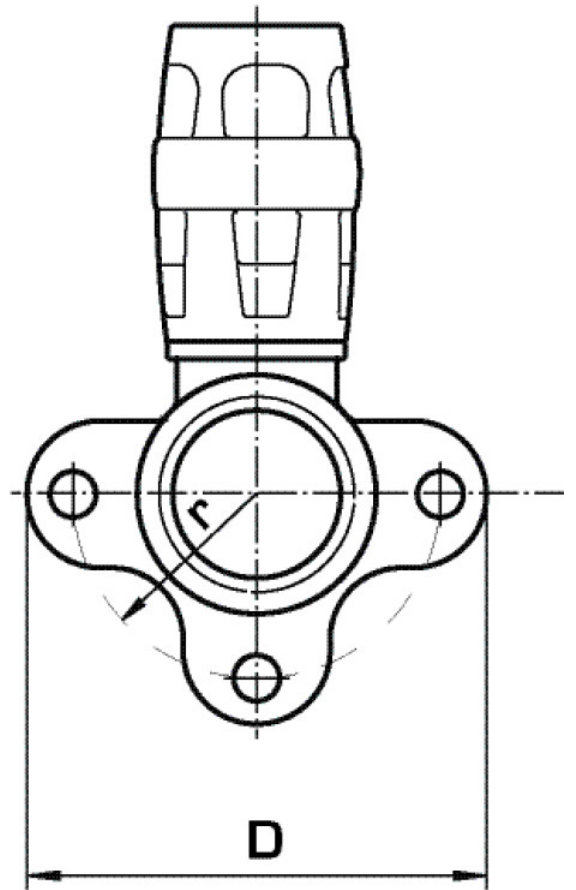
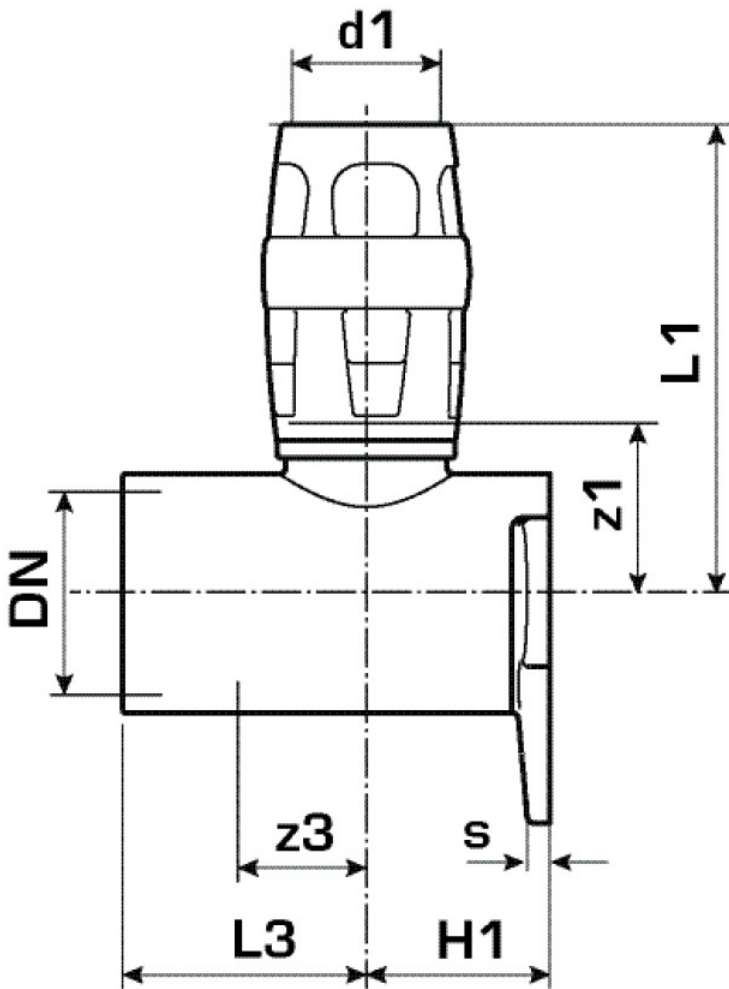
|           |                           |
|-----------|---------------------------|
| port 1    | Plug-in                   |
| port 2    | Female thread             |
| execution | Miscellaneous             |
| design    | Continuously right-angled |

## Technical properties

|                                    |        |
|------------------------------------|--------|
| maximum working pressure at 20 ° C | 10 bar |
|------------------------------------|--------|

## Product information

|                     |   |
|---------------------|---|
| VPE1                | 10,00 SA1   |
| VPE2                | 80,00 KT1   |
| weight              | 0,148 KGM   |
| text                | ?KELOX-PROTEC wall bracket fitting with female thread |
| INTRNR              | 74122000  |
| main material group | KELOX   |
| material group      | KELOX-PROtec pushfittings                             |
| code                | KMP480  |



| Art. No  | label   | d1 mm | d2   | d1 mm | L1 mm | L3 mm | z1 | z2 | z1 mm | z3 mm |
|----------|---------|-------|------|-------|-------|-------|----|----|-------|-------|
| 73250D02 | 20x1/2" | 20    | 26.5 | 20    | 26,5  | 51    | 18 | 11 | 11    | 18    |