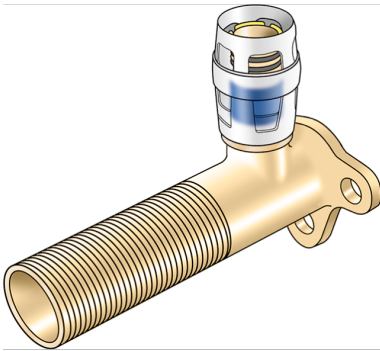


KELOX

KMP481L KELOX-PROTEC wall bracket fitting
90° with 80mm male thread 20x1/2"x80

73257D02

Areas of application



Plug-in wall bracket fitting with 80 mm male thread, made of dezincification-resistant brass (DZR), incl. push-on sleeve made of transparent polyamide, O-rings, withdrawal barriers and a protector ring as an insertion locking device

Overall height: 1/2" - 115mm

Approvals:



Specifications

Article information

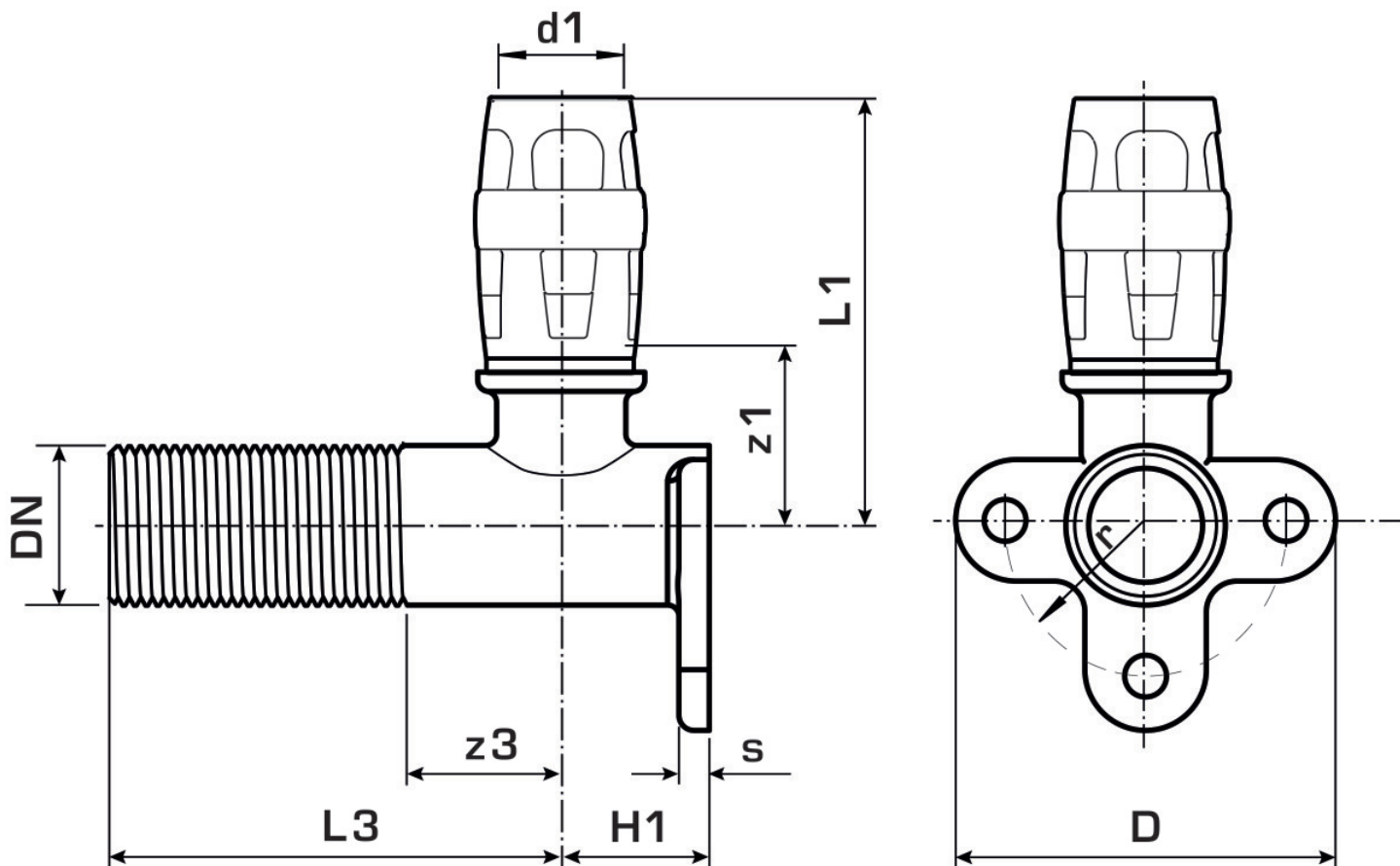
port 1	Einsteck (Push-Fitting)
design	Continuously right-angled

Technical properties

maximum working pressure at 20 ° C	10 bar
---	--------

Product information

VPE1	10,00 SA1
VPE2	40,00 KT1
weight	0,201 KGM
text	KELOX-PROTEC wall bracket fitting 90° with 80mm male thread
INTRNR	74122000
main material group	KELOX
material group	KELOX-PROtec pushfittings
code	KMP481L



Art. No	label	d1 mm	L1 mm	L3 mm	z1 mm	z3 mm
73257D02	20x1/2"x80	20	56,5	78,5	23,5	11,5