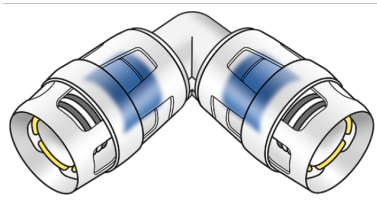


# KELOX

## KWP420 ?KELOX-PROTEC PPSU elbow 90° 20

73603DD0

### Areas of application



?Push-in elbow 90° for changing direction with a minimal radius, made of PPSU, incl. support sleeves, O-rings, pull-out barriers and a protector ring as an insertion locking device

### Approvals:



KE KELIT GmbH

A 4020 Linz, Ignaz-Mayer-Straße 17, Austria, Europe

PHONE +43 (0) 50 779 E-MAIL [office@kekelit.com](mailto:office@kekelit.com)

[www.kekelit.com](http://www.kekelit.com)

# Specifications

## Article information

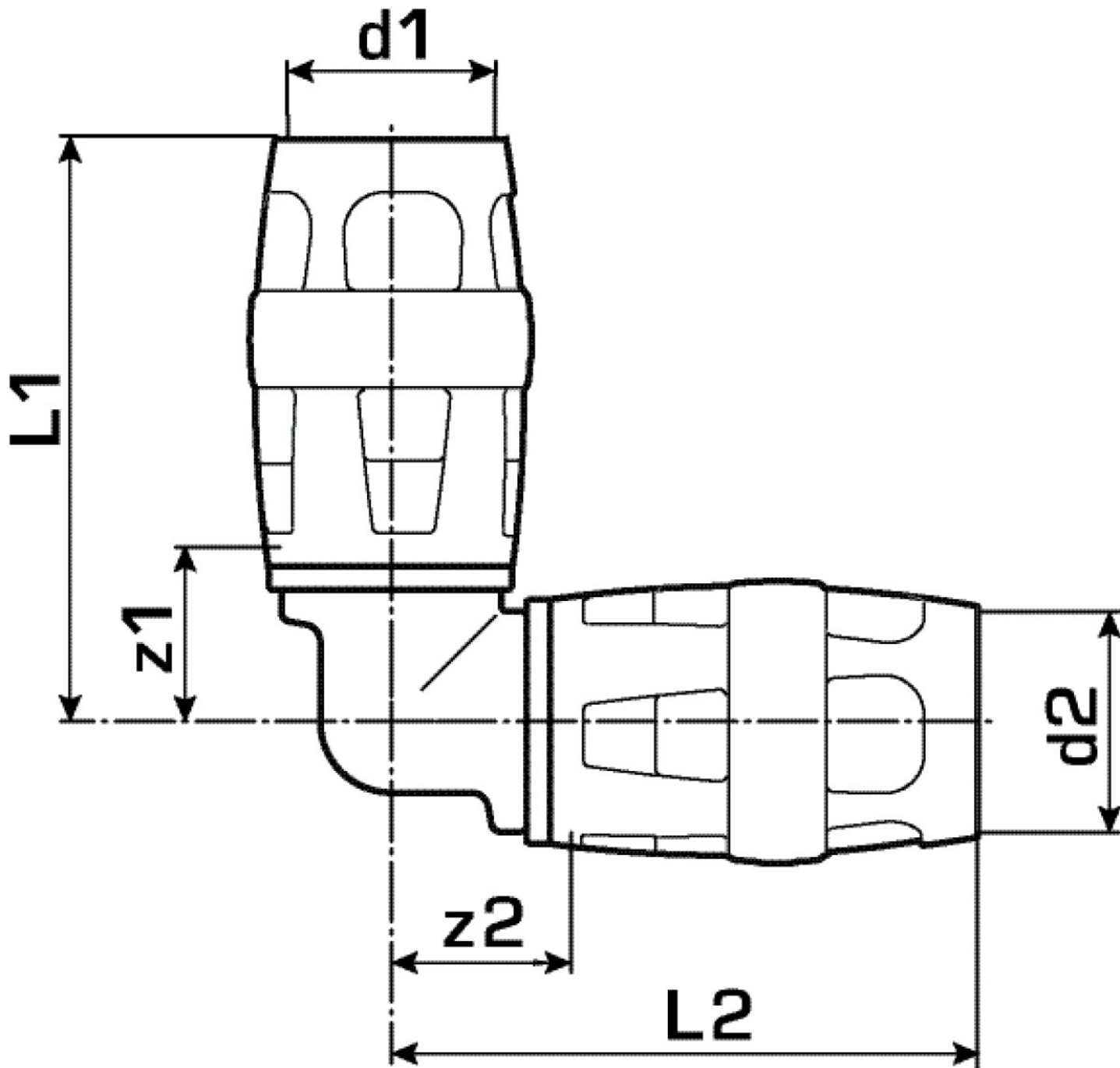
port 1	Plug-in
port 2	Plug-in
execution	Miscellaneous
design	Knee
angle	90 °

## Technical properties

maximum working pressure at 20 ° C	10 bar
------------------------------------	--------

## Product information

VPE1	10,00 SA1
VPE2	100,00 KT1
weight	0,032 KGM
text	?KELOX-PROTEC PPSU elbow 90°
INTRNR	39174000
main material group	KELOX
material group	KELOX-PROtec-PPSU pushfittings
code	KWP420



Art. No	label	d1 mm	d2 mm	L1 mm	L2 mm	z1 mm	z2 mm
73603DD0	20	20	20	48,5	48,5	16,5	16,5