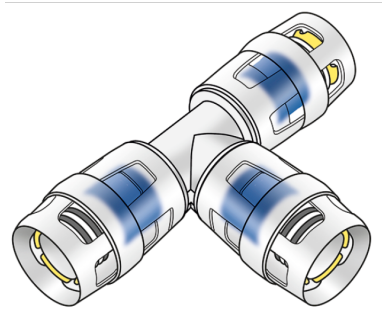


KELOX

KWP440 ?KELOX-PROTEC PPSU tee 16/16/16

73610BBB

Areas of application



?Push-in tee equal or reduced, made of PPSU, incl. push-on sleeve made of transparent polyamide, O-rings, pull-out barriers and a protector ring as an insertion locking device

Approvals:



KE KELIT GmbH

A 4020 Linz, Ignaz-Mayer-Straße 17, Austria, Europe

PHONE +43 (0) 50 779 E-MAIL office@kekelit.com

www.kekelit.com

Specifications

Article information

port 1	Plug-in
port 2	Plug-in
port 3	Plug-in
execution	Tee piece
angle	90 °

Technical properties

maximum working pressure at 20 ° C	10 bar
------------------------------------	--------

Product information

VPE1	10,00 SA1
VPE2	100,00 KT1
weight	0,034 KGM
text	?KELOX-PROTEC PPSU tee
INTRNR	39174000
main material group	KELOX
material group	KELOX-PROtec-PPSU pushfittings
code	KWP440



Art. No	label	d1 mm	d2 mm	d3 mm	L1 mm	L2 mm	L3 mm	z1 mm	z2 mm	z3 mm
73610BBE	16/16/16	16	16	16	46	47	46	15	15	15