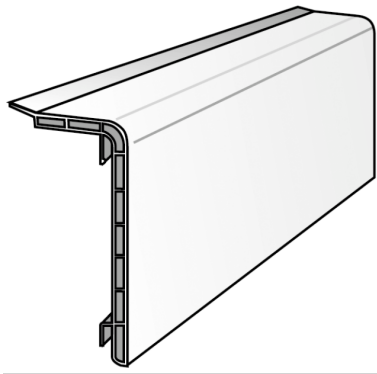


KELOX^{SL}

KM810 KELOX skirting board 28 mm White
RAL9010

6400440

Areas of application



Decorative skirting board as a hollow-chamber profile made from polystyrene coated with an embossed foil, extrusion-joined sealing lip for pipes of up to d28mm

L:4 m, W:45mm, H:100mm

Specifications

Product information	
VPE1	100,00 KT1
L	4 m
weight	0,428 KGM
text	KELOX skirting board 28 mm
INTRNR	39203000
main material group	KELOX SL
material group	KELOX SL skirting boards and accessoriess
code	KM810

Art. No	label
6400440	White RAL9010