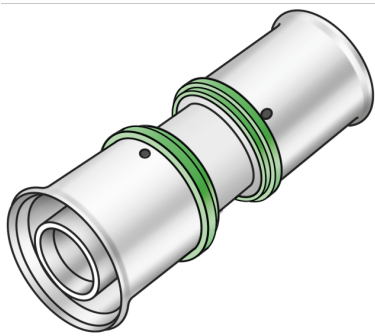


# STEELOX

## SMX410 STEELOX coupling 20/20

57100DD0

### Areas of application



?Press coupling, equal or reduced, made of non-porous metallised dezincification-resistant (DZR) brass, incl. support sleeves with O-rings and stainless steel pressing sleeves, "leak before pressed"

### Approvals:



KE KELIT GmbH

A 4020 Linz, Ignaz-Mayer-Straße 17, Austria, Europe

PHONE +43 (0) 50 779 E-MAIL [office@kekelit.com](mailto:office@kekelit.com)

[www.kekelit.com](http://www.kekelit.com)

# Specifications

## Article information

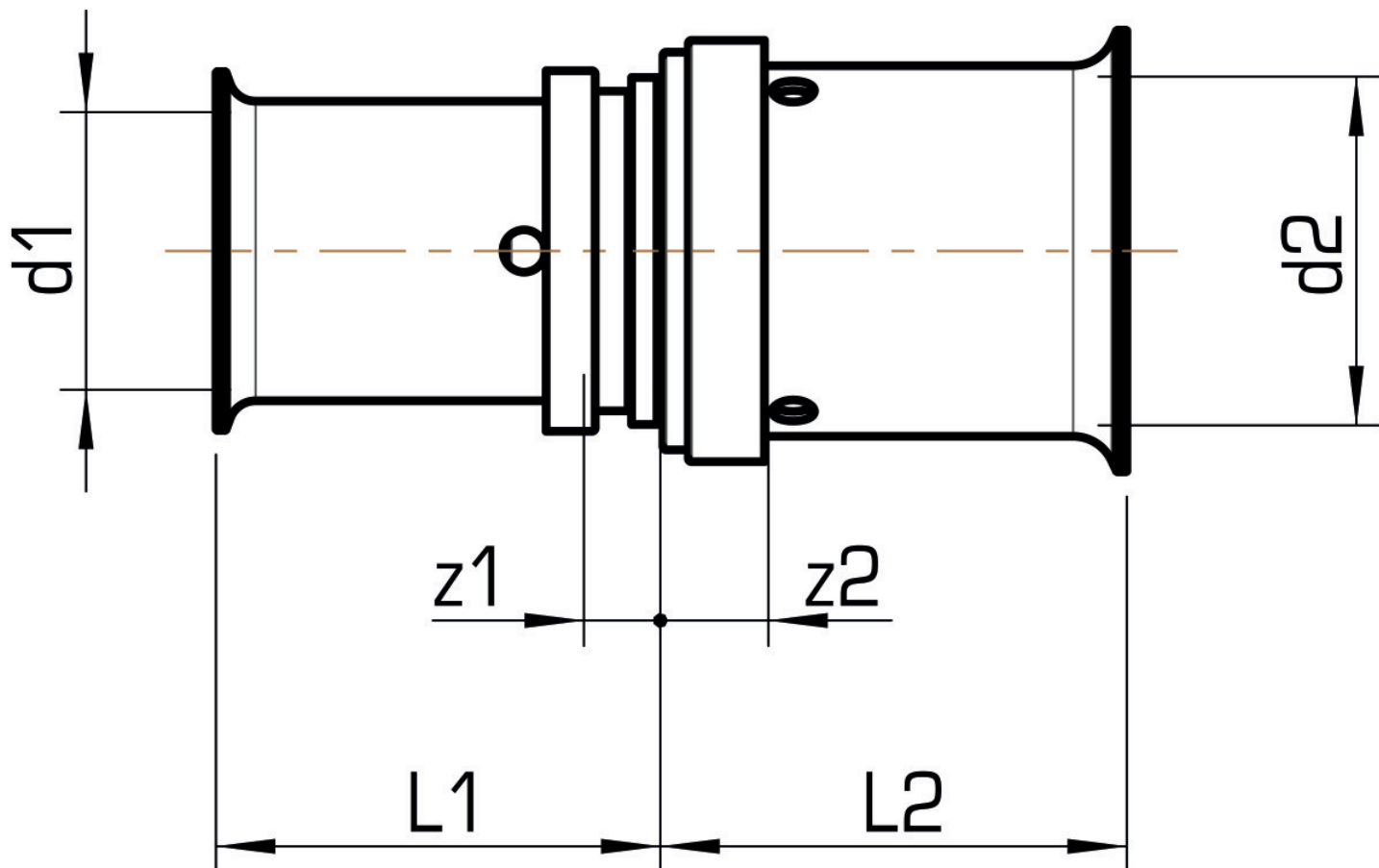
port 1	Pressing socket
port 2	Pressing socket
execution	1-part
design	Straight
press contour	SX

## Technical properties

maximum working pressure at 20 ° C	10 bar
------------------------------------	--------

## Product information

VPE1	10,00 SA1
VPE2	160,00 KT1
weight	0,063 KGM
text	STEELOX coupling
INTRNR	74122000
code	SMX410



Art. No	label	d1 mm	d2 mm	L1 mm	L2 mm	z1 mm	z2 mm
57100DD0	20/20	20	20	29	29	3,5	3,5