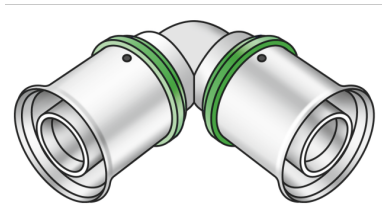


# STEELOX

## SMX420 ?STEELOX 90° elbow 25

57103EE0

### Areas of application



?Press-fit 90° elbow for changing direction with a minimal radius, made of non-porous metallised dezincification-resistant (DZR) brass, incl. support sleeves with O-rings and stainless steel pressing sleeves, "leak before pressed"

### Approvals:



KE KELIT GmbH

A 4020 Linz, Ignaz-Mayer-Straße 17, Austria, Europe

PHONE +43 (0) 50 779 E-MAIL [office@kekelit.com](mailto:office@kekelit.com)

[www.kekelit.com](http://www.kekelit.com)

# Specifications

## Article information

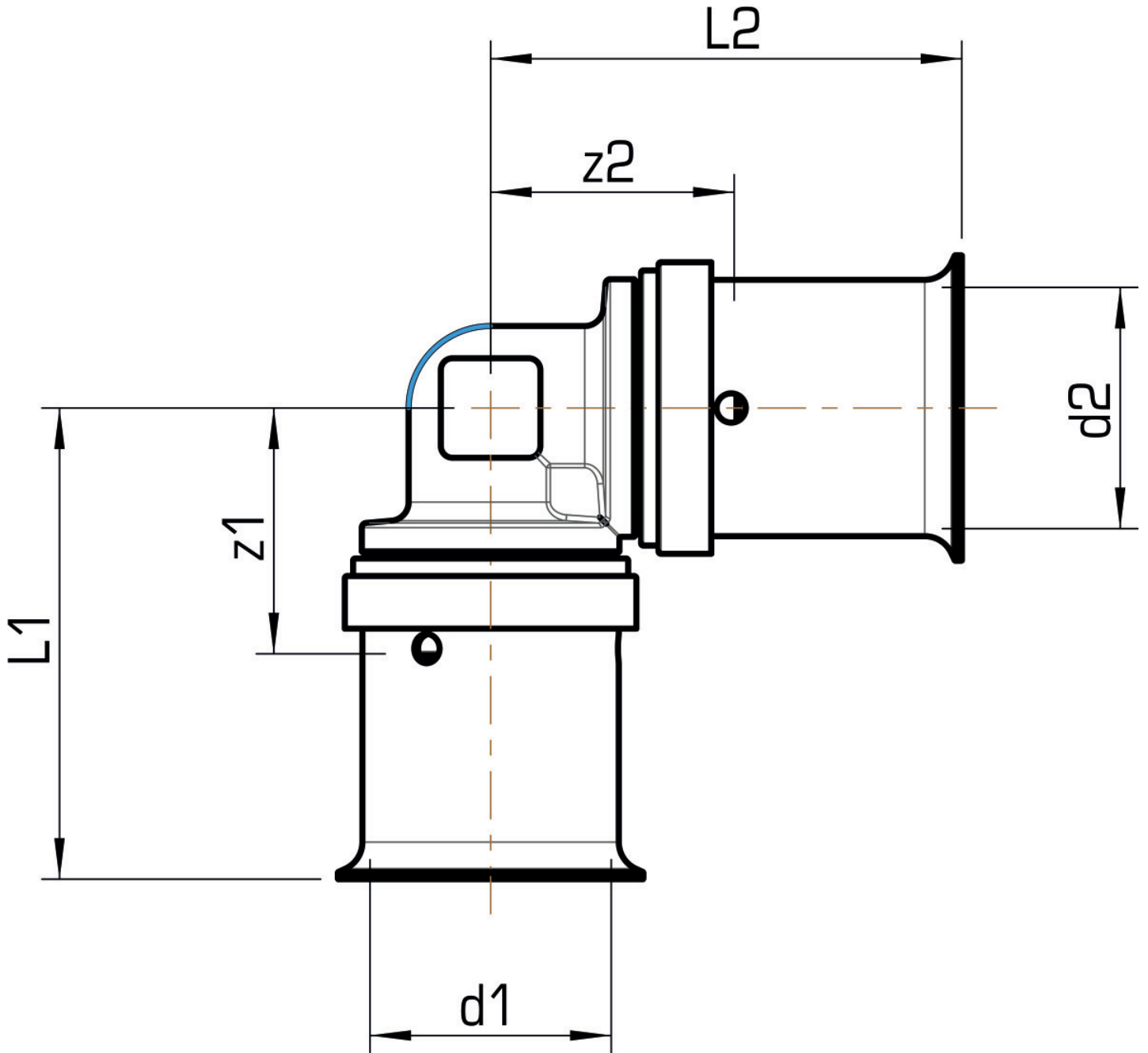
|               |                 |
|---------------|-----------------|
| port 1        | Pressing socket |
| port 2        | Pressing socket |
| execution     | 1-part          |
| design        | Knee            |
| angle         | 90 °            |
| press contour | SX              |

## Technical properties

|                                    |        |
|------------------------------------|--------|
| maximum working pressure at 20 ° C | 10 bar |
|------------------------------------|--------|

## Product information

|        |                    |
|--------|--------------------|
| VPE1   | 10,00 SA1          |
| VPE2   | 80,00 KT1          |
| weight | 0,158 KGM          |
| text   | ?STEELOX 90° elbow |
| INTRNR | 74122000           |
| code   | SMX420             |



| Art. No  | label | d1 mm | d2 mm | L1 mm | L2 mm | z1 mm | z2 mm |
|----------|-------|-------|-------|-------|-------|-------|-------|
| 57103EE0 | 25    | 25    | 25    | 51    | 51    | 16,5  | 16,5  |