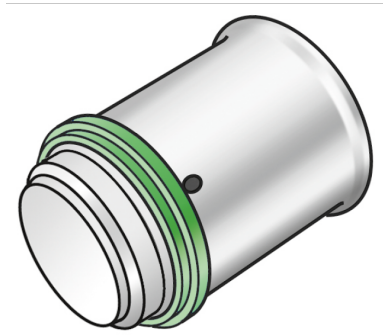


STEELOX

SMX471 STEELOX end cap 16

57120B00

Areas of application



?Press-fit end cap, equal or reduced, made of dezincification-resistant (DZR) non-porous metallised brass, incl. support sleeves with O-rings and stainless steel pressing sleeves, "leak before pressed"

Approvals:



KE KELIT GmbH

A 4020 Linz, Ignaz-Mayer-Straße 17, Austria, Europe

PHONE +43 (0) 50 779 E-MAIL office@kekelit.com

www.kekelit.com

Specifications

Article information

port 1 Pressmuffe

press contour SX

Product information

VPE1 10,00 SA1

VPE2 200,00 KT1

weight 0,026 KGM

text STEELOX end cap

INTRNR 74122000

code SMX471



| Art. No | label | d1 mm | L1 mm | z1 mm |
|----------|-------|-------|-------|-------|
| 57120B00 | 16 | 16 | 26 | 7 |