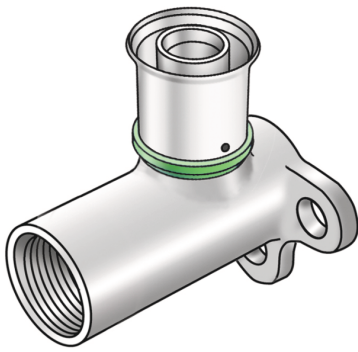


# STEELOX

SMX480L STEELOX 90° wall bracket fitting with 20mm female thread 16x1/2"

57251B02

## Areas of application



Press-fit wall bracket fitting elbow with female thread, extended by 20mm, made from dezincification-resistant (DZR) non-porous metallised brass; including support sleeves with O-rings and stainless steel press-fit sleeves, "leak before pressed" Overall height:

1/2" - 66mm

DO NOT screw in threaded pipes and cast iron fittings!

## Approvals:



# Specifications

## Article information

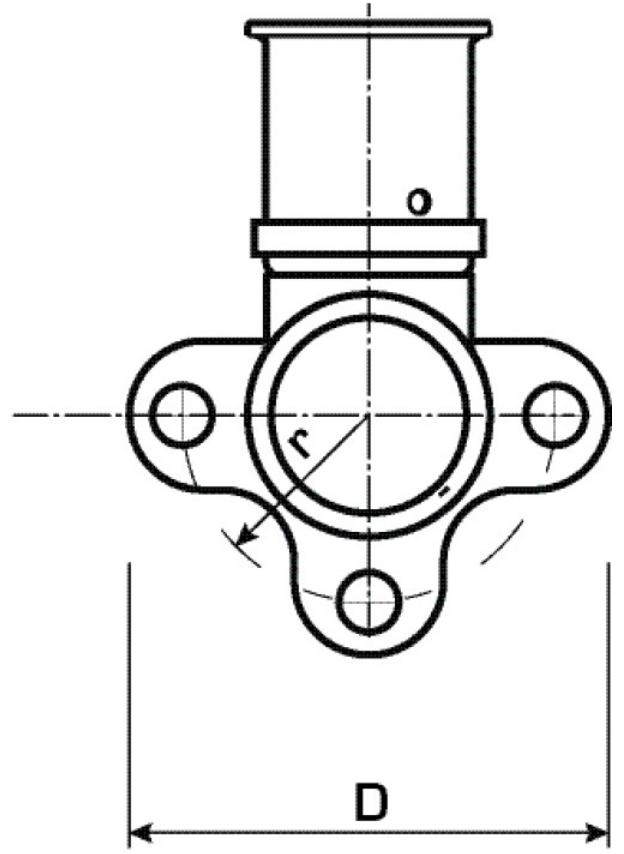
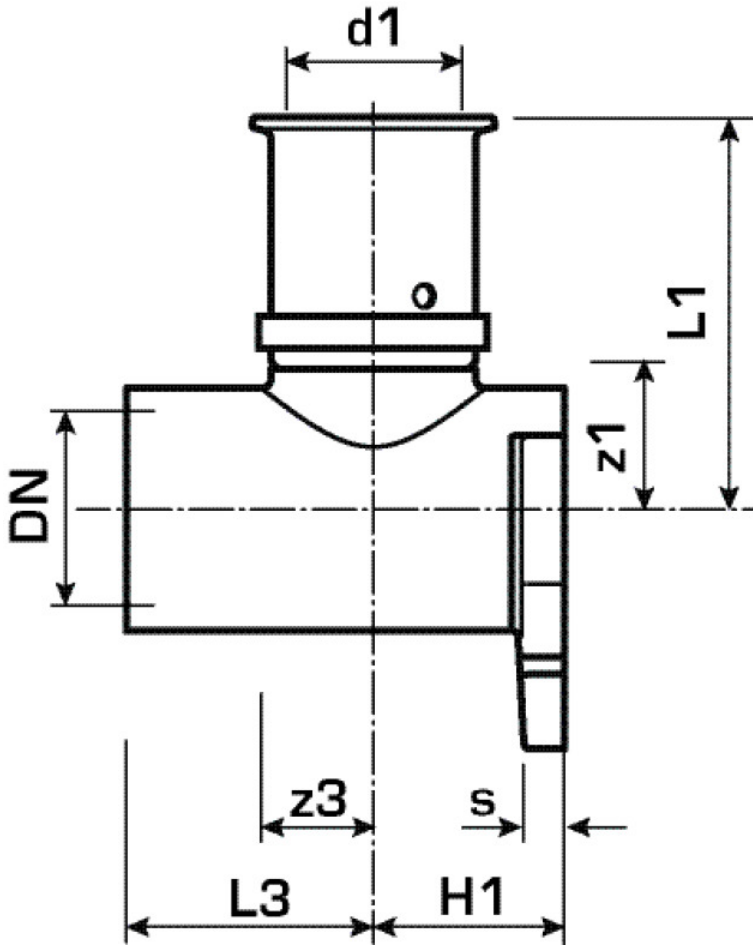
port 1	Pressmuffe
design	Durchgängig rechtwinklig
press contour	SX

## Technical properties

maximum working pressure at 20 ° C	10 bar
------------------------------------	--------

## Product information

VPE1	10,00 SA1
VPE2	60,00 KT1
weight	0,162 KGM
text	STEELOX 90° wall bracket fitting with 20mm female thread
INTRNR	74122000
code	SMX480L



Art. No	label	d1 mm	L1 mm	L3 mm	z1 mm	z3 mm
57251B02	16x1/2"	16	40	45	16,5	9