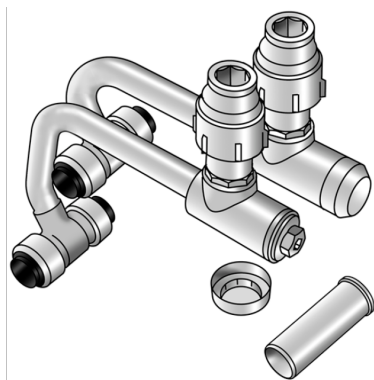


# STEEL FIX C-STAHl

CF435 STEELFIX Push-fit skirting board connection set 18 / 3/4" female thread/18

54160CC0

## Areas of application



Push-fit skirting board radiator connection set made of brass, non-porous metallised, suitable for processing with carbon steel, stainless steel and copper pipes, heating/cooling connection pipe d12x1mm, incl. height and depth-adjustable corner-shut-off valve, the longitudinal frictional pipe connection of the shut-off valve is ensured with an M13 hex key at the front of the shut-off valve, the locking is performed with an Allen key 4mm, radiator connections 3/4" female, flat sealing  
The end parts are needed for the last radiator of the skirting board set!

# Specifications

Product information	
VPE1	1,00 SA1
VPE2	6,00 KT1
weight	0,819 KGM
text	STEELFIX Push-fit skirting board connection set
INTRNR	73071990
main material group	STEELFIX
material group	C-STAHL pushfittings
code	CF435

Art. No	label	d1 mm	d2 Zoll
54160CC0	18 / 3/4" female thread/18	18	3/4"



**KE KELIT GmbH**

A 4020 Linz, Ignaz-Mayer-Straße 17, Austria, Europe

PHONE +43 (0) 50 779 E-MAIL [office@kekelit.com](mailto:office@kekelit.com)

[www.kekelit.com](http://www.kekelit.com)