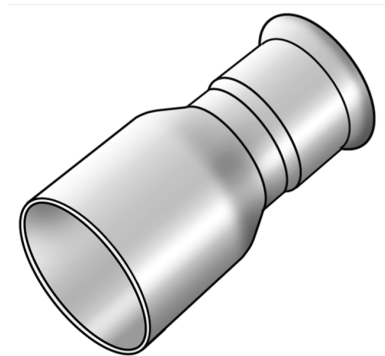


STEEL FIX C-STAHL

CP411 STEELFIX carbon steel press-fit reduction nipple male/female 22/18

54601DC0

Areas of application



Press-fit reducing nipple f/m straight made of carbon steel coated with a zinc layer, incl. EPDM sealing elements, d15-54 "leak before pressed"

Press contour: M

Specifications

Article information

port 1	Pressmuffe
port 2	Zapfen/Rohrende
execution	1-part
design	gerade
press contour	M

Technical properties

maximum working pressure at 20 ° C	16 bar
------------------------------------	--------

Product information

VPE1	10,00 SA1
VPE2	120,00 KT1
VPE3	3000,00 DDP
weight	0,046 KGM
text	STEELFIX carbon steel press-fit reduction nipple male/female
INTRNR	73079980
main material group	STEELFIX
material group	C-STAHL pressfittings
code	CP411



Art. No	label	d1 mm	d2 mm	L1 mm	L2 mm	z1 mm	z2 mm
54601DC0	22/18	18	22	32	28,5	12	7,5