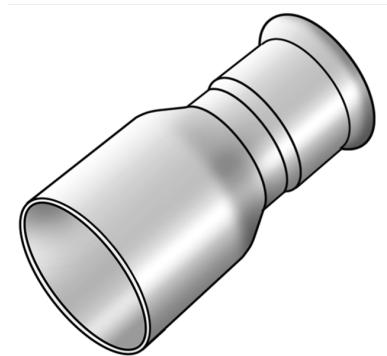


# STEEL FIX C-STAHL

CP411 STEELFIX carbon steel press-fit reduction nipple male/female 35/28

54601FE0

## Areas of application



Press-fit reducing nipple f/m straight made of carbon steel coated with a zinc layer, incl. EPDM sealing elements, d15-54 "leak before pressed"

Press contour: M

# Specifications

## Article information

|               |                 |
|---------------|-----------------|
| port 1        | Pressmuffe      |
| port 2        | Zapfen/Rohrende |
| execution     | 1-part          |
| design        | gerade          |
| press contour | M               |

## Technical properties

|                                    |        |
|------------------------------------|--------|
| maximum working pressure at 20 ° C | 16 bar |
|------------------------------------|--------|

## Product information

|                     |                                                              |
|---------------------|--------------------------------------------------------------|
| VPE1                | 5,00 SA1                                                     |
| VPE2                | 60,00 KT1                                                    |
| VPE3                | 1500,00 DDP                                                  |
| weight              | 0,084 KGM                                                    |
| text                | STEELFIX carbon steel press-fit reduction nipple male/female |
| INTRNR              | 73079980                                                     |
| main material group | STEELFIX                                                     |
| material group      | C-STAHL pressfittings                                        |
| code                | CP411                                                        |



| Art. No  | label | d1 mm | d2 mm | L1 mm | L2 mm | z1 mm | z2 mm |
|----------|-------|-------|-------|-------|-------|-------|-------|
| 54601FE0 | 35/28 | 28    | 35    | 36    | 37    | 13    | 11    |