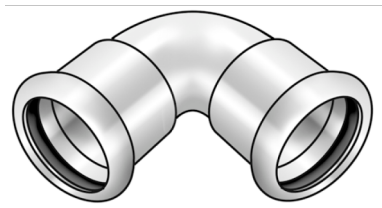


# STEEL FIX C-STAH

CP420 STEELFIX carbon steel press-fit 90°  
elbow 42

54615GG0

## Areas of application



Press-elbow 90° made of carbon steel coated with a zinc layer, incl. EPDM sealing elements, of d15-54 "leak before pressed"

Press contour: M

# Specifications

## Article information

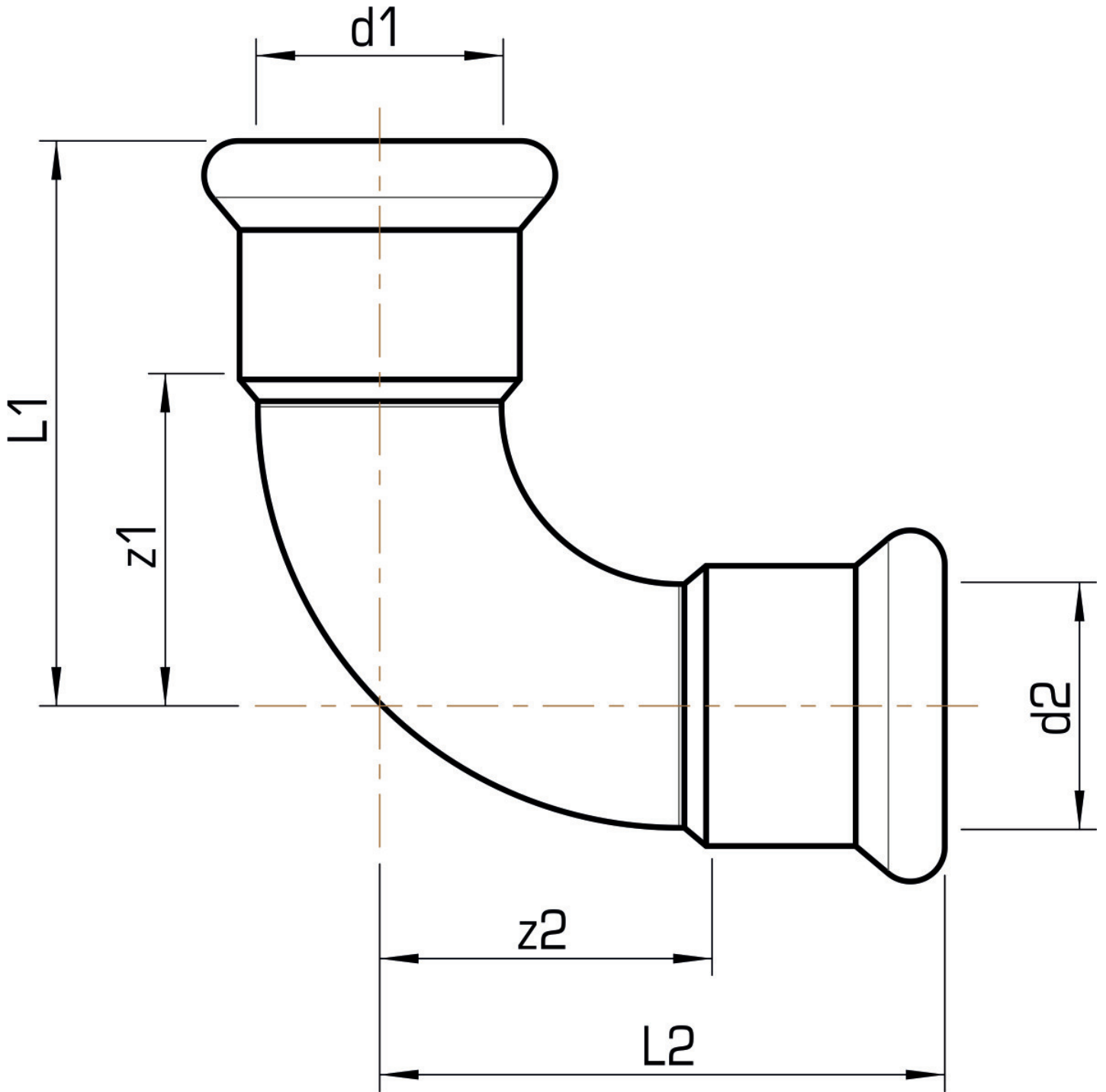
port 1	Pressmuffe
port 2	Pressmuffe
execution	1-part
angle	90 °
press contour	M

## Technical properties

maximum working pressure at 20 ° C	16 bar
------------------------------------	--------

## Product information

VPE1	2,00 SA1
VPE2	8,00 KT1
VPE3	200,00 DDP
weight	0,329 KGM
text	STEELFIX carbon steel press-fit 90° elbow
INTRNR	73079980
main material group	STEELFIX
material group	C-STAHL pressfittings
code	CP420



Art. No	label	d1 mm	d2 mm	L1 mm	L2 mm	z1 mm	z2 mm
54615GG0	42	42	42	86	86	56	56