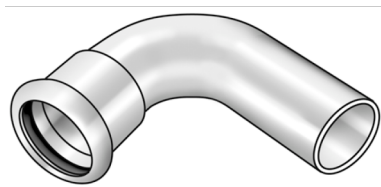


STEEL FIX C-STAHL

CP421 STEELFIX carbon steel press-fit 90°
elbow male/female 35

54616FF0

Areas of application



Press-elbow 90°, f/m, made of carbon steel coated with a zinc layer, incl. EPDM sealing components, d15-54 "leak before pressed"

Press contour: M

Specifications

Article information

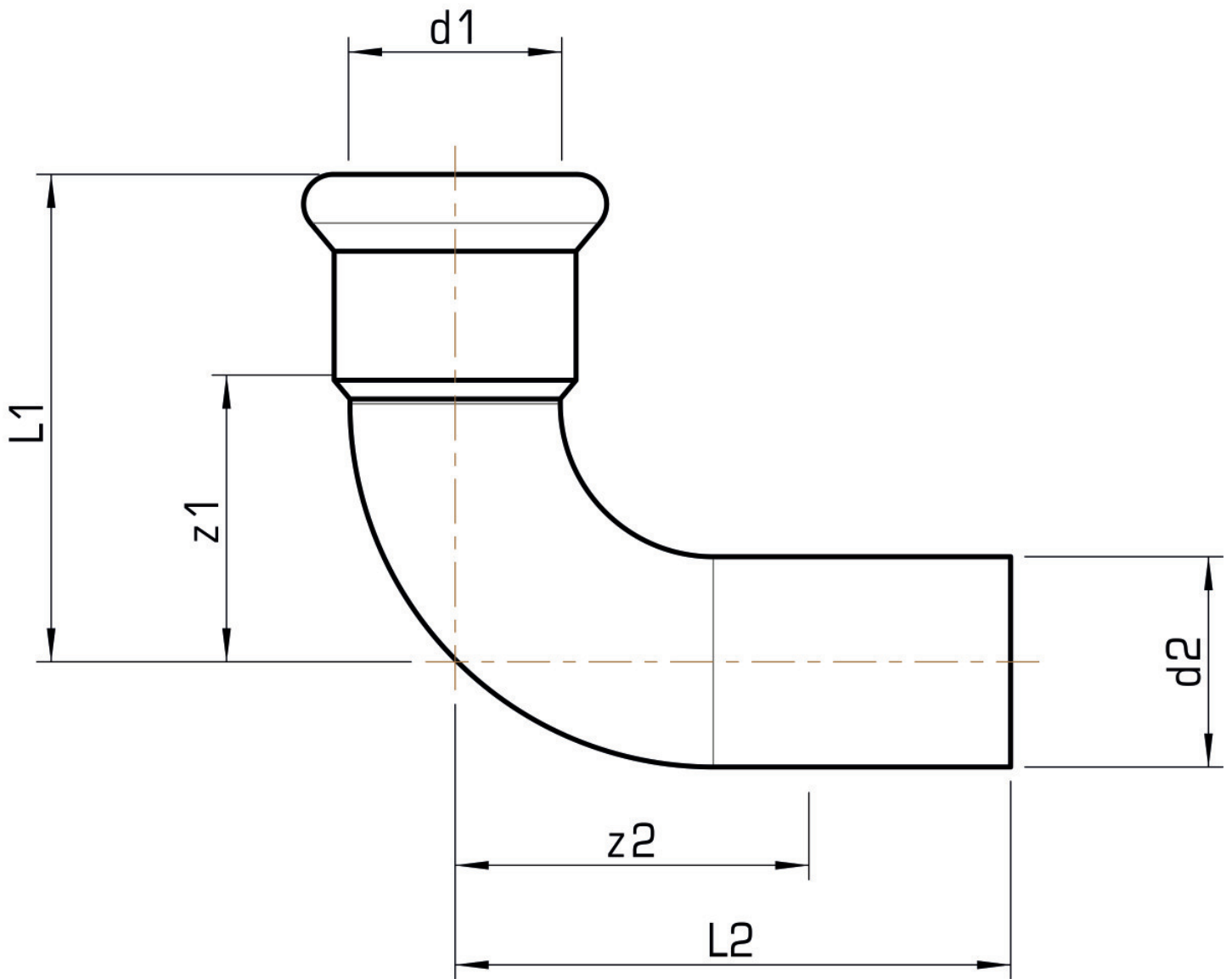
port 1	Pressmuffe
port 2	Zapfen/Rohrende
execution	1-part
design	Bogen
angle	90 °
press contour	M

Technical properties

maximum working pressure at 20 ° C	16 bar
------------------------------------	--------

Product information

VPE1	5,00 SA1
VPE2	20,00 KT1
VPE3	500,00 DDP
weight	0,208 KGM
text	STEELFIX carbon steel press-fit 90° elbow male/female
INTRNR	73079980
main material group	STEELFIX
material group	C-STAHL pressfittings
code	CP421



Art. No	label	d1 mm	d2 mm	L1 mm	L2 mm	z1 mm	z2 mm
54616FF0	35	35	35	71	76	45	50