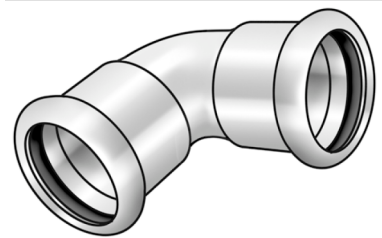


STEEL FIX C-STAHl

CP425 STEELFIX carbon steel press-fit-elbow
45° 76,1

54620JJ0

Areas of application



Press-elbow 45° made of carbon steel coated with a zinc layer, incl. EPDM sealing components, d15-54 "leak before pressed"

Press contour: M

Specifications

Article information

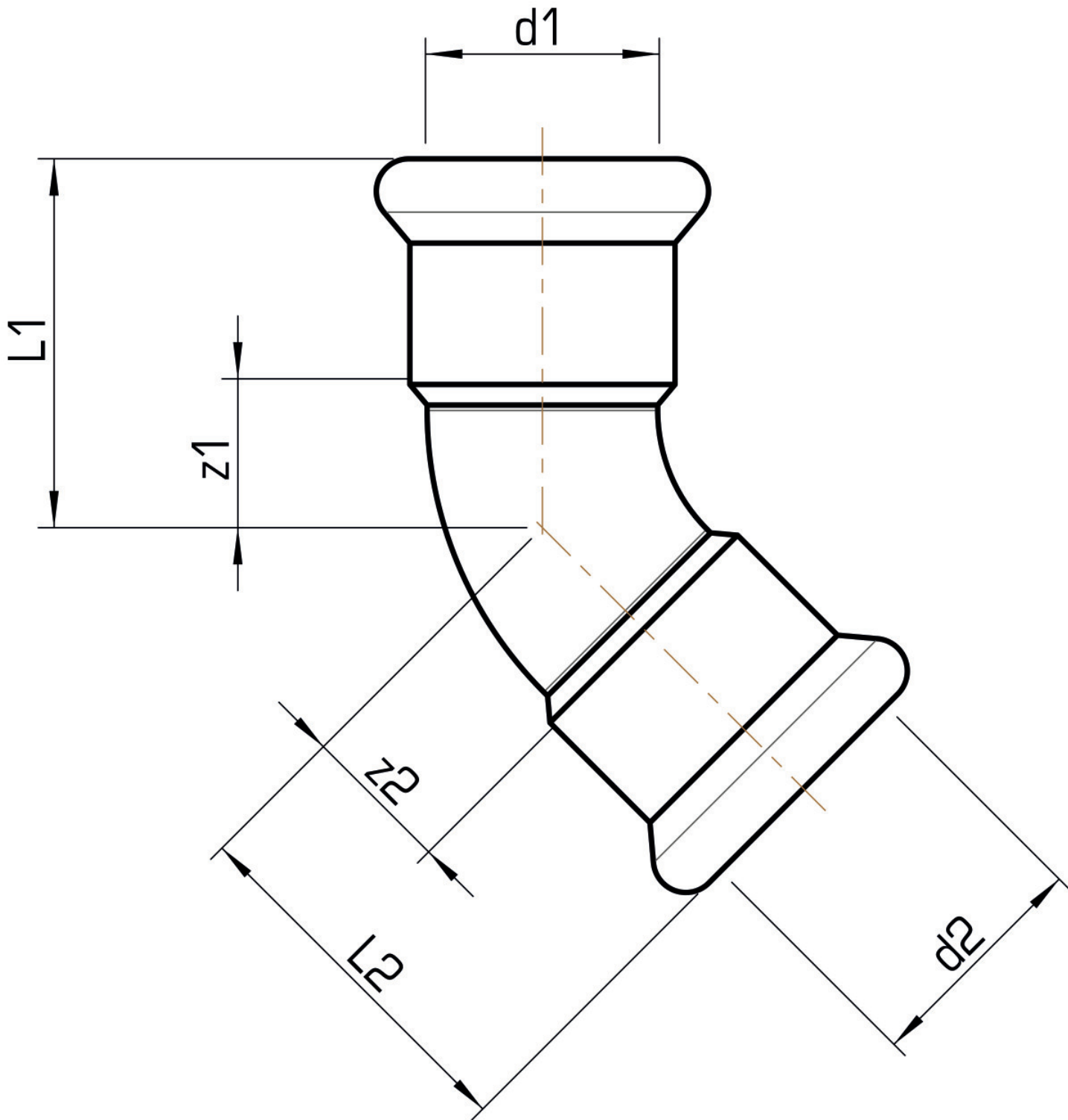
port 1	Pressmuffe
port 2	Pressmuffe
execution	1-part
design	Bogen
angle	45 °
press contour	M

Technical properties

maximum working pressure at 20 ° C	16 bar
------------------------------------	--------

Product information

VPE1	2,00 SA1
VPE2	12,00 KT1
weight	0,802 KGM
text	STEELFIX carbon steel press-fit-elbow 45°
INTRNR	73079980
main material group	STEELFIX
material group	C-STAHl pressfittings
code	CP425



Art. No	label	d1 mm	d2 mm	L1 mm	L2 mm	z1 mm	z2 mm
54620JJ0	76,1	76,1	76,1	98	98	43	43



KE KELIT GmbH

A 4020 Linz, Ignaz-Mayer-Straße 17, Austria, Europe

PHONE +43 (0) 50 779 **E-MAIL** office@kekelit.com

www.kekelit.com