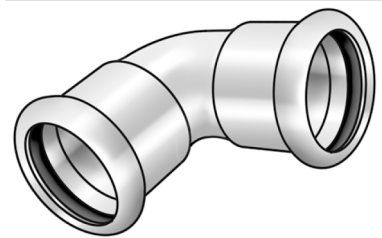


# STEEL FIX C-STAHl

CP425 STEELFIX carbon steel press-fit-elbow  
45° 108

54620LL0

## Areas of application



Press-elbow 45° made of carbon steel coated with a zinc layer, incl. EPDM sealing components, d15-54 "leak before pressed"

Press contour: M

# Specifications

## Article information

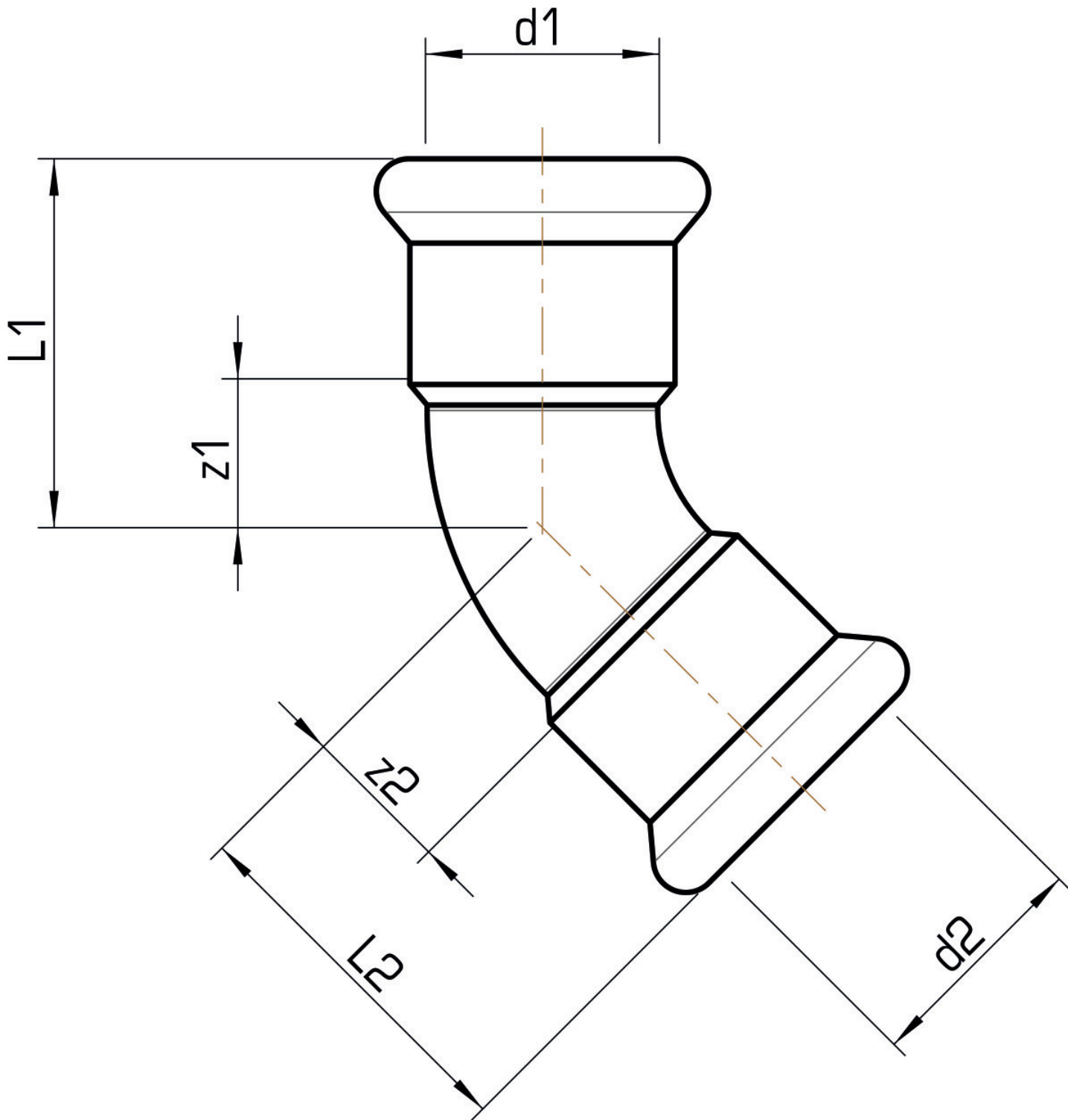
port 1	Pressmuffe
port 2	Pressmuffe
execution	1-part
design	Bogen
angle	45 °
press contour	M

## Technical properties

maximum working pressure at 20 ° C	16 bar
------------------------------------	--------

## Product information

VPE1	1,00 SA1
VPE2	6,00 KT1
weight	1,523 KGM
text	STEELFIX carbon steel press-fit-elbow 45°
INTRNR	73079980
main material group	STEELFIX
material group	C-STAHl pressfittings
code	CP425



Art. No	label	d1 mm	d2 mm	L1 mm	L2 mm	z1 mm	z2 mm
54620LL0	108	108	108	138	138	61	61



**KE KELIT GmbH**

A 4020 Linz, Ignaz-Mayer-Straße 17, Austria, Europe

**PHONE** +43 (0) 50 779 **E-MAIL** [office@kekelit.com](mailto:office@kekelit.com)

[www.kekelit.com](http://www.kekelit.com)