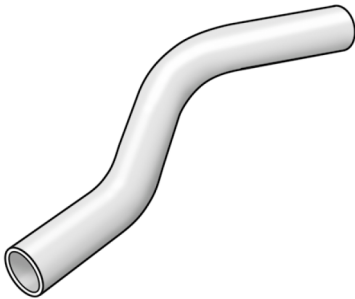


STEEL FIX C-STAH

CP427 STEELFIX carbon steel press-fit curved pipe male/male 22

54623DD0

Areas of application



Curved pipe for parallel lines m/m made of C-steel coated with a zinc layer

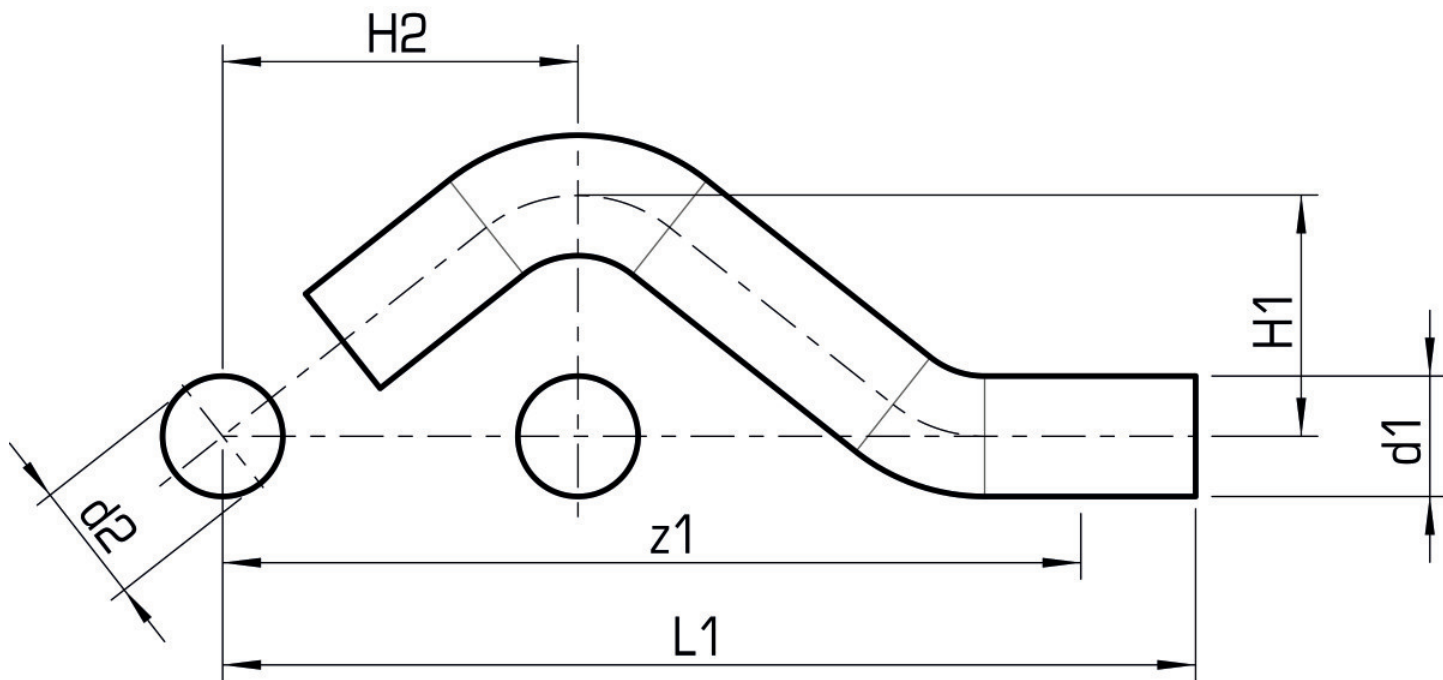
Specifications

Article information

port 1	Zapfen/Rohrende
port 2	Zapfen/Rohrende
execution	1-teilig
design	Versprung
press contour	M

Product information

VPE1	10,00 SA1
VPE2	40,00 KT1
VPE3	1000,00 DDP
weight	0,145 KGM
text	STEELFIX carbon steel press-fit curved pipe male/male
INTRNR	73079980
main material group	STEELFIX
material group	C-STAHL pressfittings
code	CP427



Art. No	label	d1 mm	d2 mm	d1 mm	d2 mm	L1 mm	z1 mm	z1 mm
54623DD0	22	22	22	22	22	178	157	157