

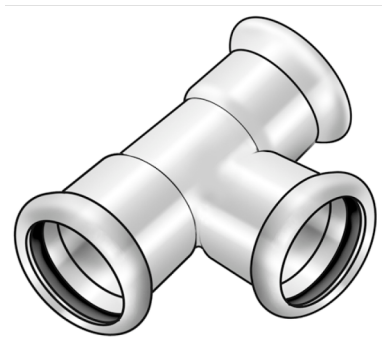
# STEEL FIX C-STAHL

CP440 STEELFIX carbon steel press-fit tee

22/15/15

54630DBB

## Areas of application



Press-tee equal or reduced made of carbon steel coated with a zinc layer, incl. EPDM sealing components, d15-54 "leak before pressed"

Press contour: M

# Specifications

## Article information

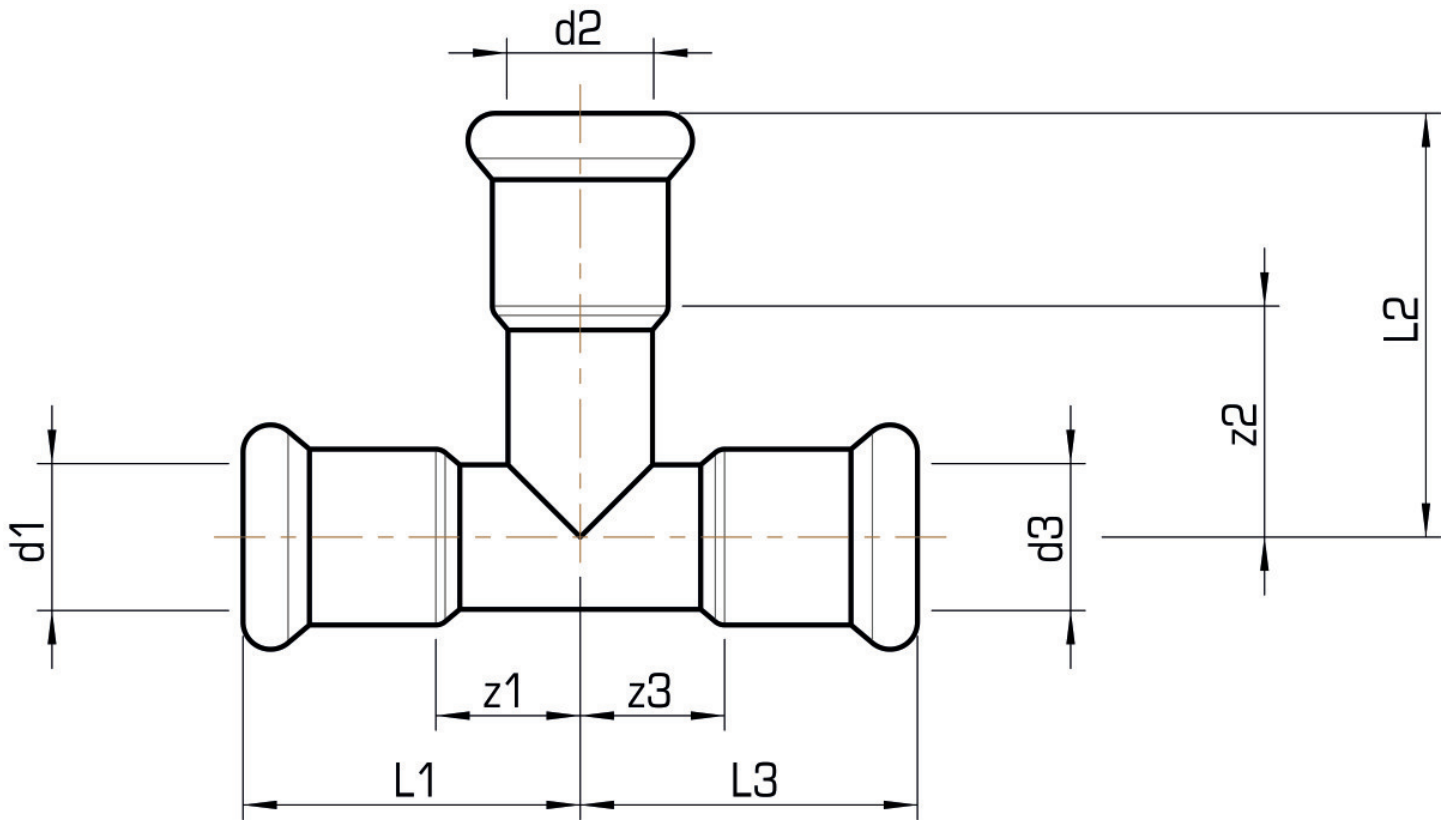
port 1	Pressmuffe
port 2	Pressmuffe
port 3	Pressmuffe
execution	T-Stück
press contour	M

## Technical properties

maximum working pressure at 20 ° C	16 bar
------------------------------------	--------

## Product information

VPE1	10,00 SA1
VPE2	50,00 KT1
VPE3	1250,00 DDP
weight	0,123 KGM
text	STEELFIX carbon steel press-fit tee
INTRNR	73079980
main material group	STEELFIX
material group	C-STAHL pressfittings
code	CP440



Art. No	label	d1 mm	d2 mm	d3 mm	L1 mm	L2 mm	L3 mm	z1 mm	z2 mm	z3 mm
54630DBE	22/15/15	22	15	15	39,5	47,5	46,5	18,5	27,5	26,5