

# STEEL FIX C-STAHL

CP440 STEELFIX carbon steel press-fit tee

22/22/22

54630DDD

## Areas of application



Press-tee equal or reduced made of carbon steel coated with a zinc layer, incl. EPDM sealing components, d15-54 "leak before pressed"

Press contour: M

# Specifications

## Article information

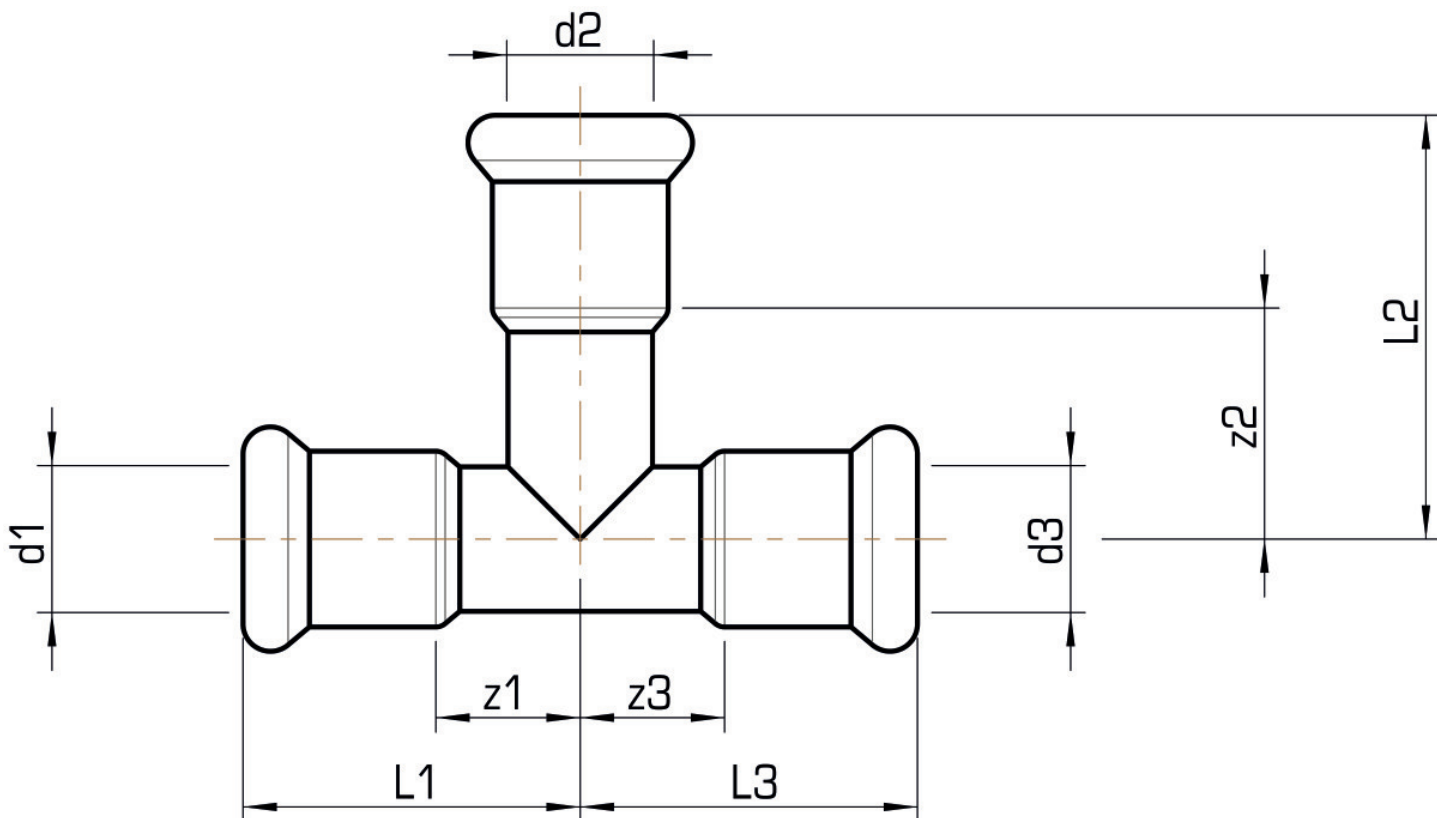
|               |            |
|---------------|------------|
| port 1        | Pressmuffe |
| port 2        | Pressmuffe |
| port 3        | Pressmuffe |
| execution     | T-Stück    |
| press contour | M          |

## Technical properties

|                                    |        |
|------------------------------------|--------|
| maximum working pressure at 20 ° C | 16 bar |
|------------------------------------|--------|

## Product information

|                     |                                     |
|---------------------|-------------------------------------|
| VPE1                | 10,00 SA1                           |
| VPE2                | 40,00 KT1                           |
| VPE3                | 1000,00 DDP                         |
| weight              | 0,108 KGM                           |
| text                | STEELFIX carbon steel press-fit tee |
| INTRNR              | 73079980                            |
| main material group | STEELFIX                            |
| material group      | C-STAHL pressfittings               |
| code                | CP440                               |



| Art. No  | label    | d1 mm | d2 mm | d3 mm | L1 mm | L2 mm | L3 mm | z1 mm | z2 mm | z3 mm |
|----------|----------|-------|-------|-------|-------|-------|-------|-------|-------|-------|
| 54630DDI | 22/22/22 | 22    | 22    | 22    | 39,5  | 48,5  | 39,5  | 18,5  | 27,5  | 18,5  |