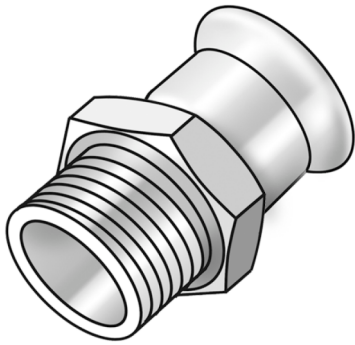


STEEL FIX C-STAHL

CP450 STEELFIX carbon steel press-fit-adapter with male thread 18x3/4"

54702C04

Areas of application



?Press-adapter with male thread conforming to EN 10226-1 made of carbon steel coated with a zinc layer, incl. EPDM sealing elements, d15-54 "leak before pressed"

Press contour: M

Specifications

Article information

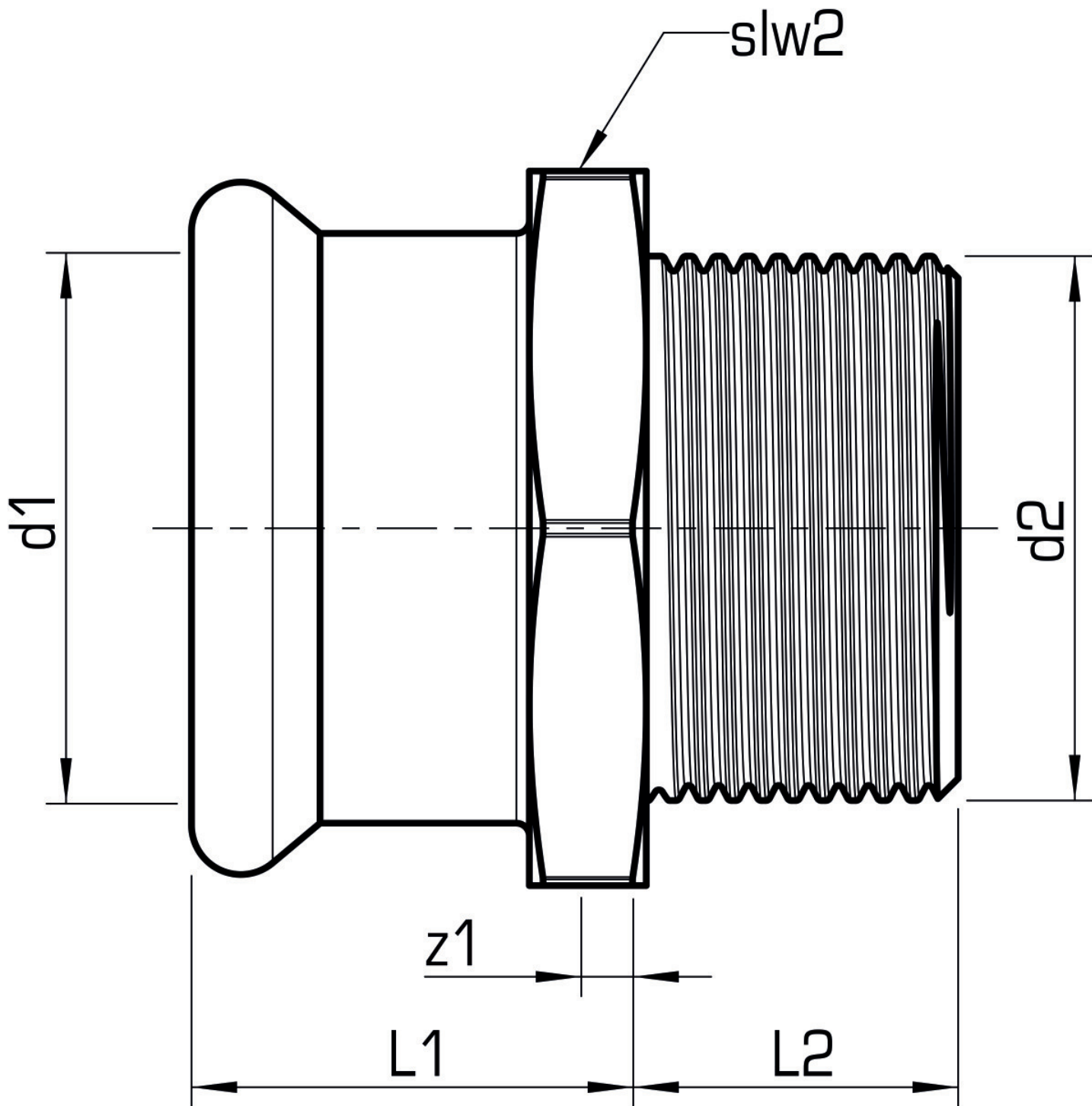
| | |
|---------------|----------------------------|
| port 1 | Pressmuffe |
| port 2 | Außengewinde konisch (NPT) |
| execution | 1-part |
| design | gerade |
| press contour | M |

Technical properties

| | |
|------------------------------------|--------|
| maximum working pressure at 20 ° C | 16 bar |
|------------------------------------|--------|

Product information

| | |
|---------------------|--|
| VPE1 | 10,00 SA1 |
| VPE2 | 100,00 KT1 |
| VPE3 | 2500,00 DDP |
| weight | 0,038 KGM |
| text | STEELFIX carbon steel press-fit-adapter with male thread |
| INTRNR | 73079980 |
| main material group | STEELFIX |
| material group | C-STAHL pressfittings |
| code | CP450 |



| Art. No | label | d2 Inches | d1 mm | L1 mm | L2 mm | z1 mm | slw2 mm |
|----------|---------|------------------|-------|-------|-------|-------|---------|
| 54702C04 | 18x3/4" | 3/4 Zoll (20) | 18 | 22 | 18 | 4 | 27 |