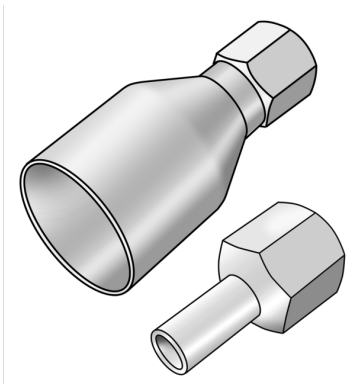


# STEEL FIX C-STAHL

CP454 STEELFIX carbon steel press-connector  
female 22x3/4"

54705D04

## Areas of application



Press-adapter with female thread made of carbon steel with pipe dimensions and coated with a zinc layer

# Specifications

## Article information

port 1	Zapfen/Rohrende
port 2	Innengewinde zylindrisch BSPT-Rp (ISO 7-1 / EN 10226-1)
execution	1-part
design	gerade
press contour	M

## Technical properties

maximum working pressure at 20 ° C	16 bar
------------------------------------	--------

## Product information

VPE1	10,00 SA1
VPE2	100,00 KT1
weight	0,081 KGM
text	STEELFIX carbon steel press-connector female
INTRNR	73079980
main material group	STEELFIX
material group	C-STAHL pressfittings
code	CP454



Art. No	label	d2 Inches	d1 mm	L1 mm	L2 mm	z1 mm	slw2 mm
54705D04	22x3/4"	3/4 Zoll (20)	22	31	22	10	30