

STEEL FIX C-STAHL

CP457 STEELFIX carbon steel press-fit-adapter with female thread 35x5/4"

54706F06

Areas of application



Press-adapter with female thread made of carbon steel coated with a zinc layer, incl. EPDM sealing elements, d15-54 "leak before pressed"

Press contour: M

Specifications

Article information

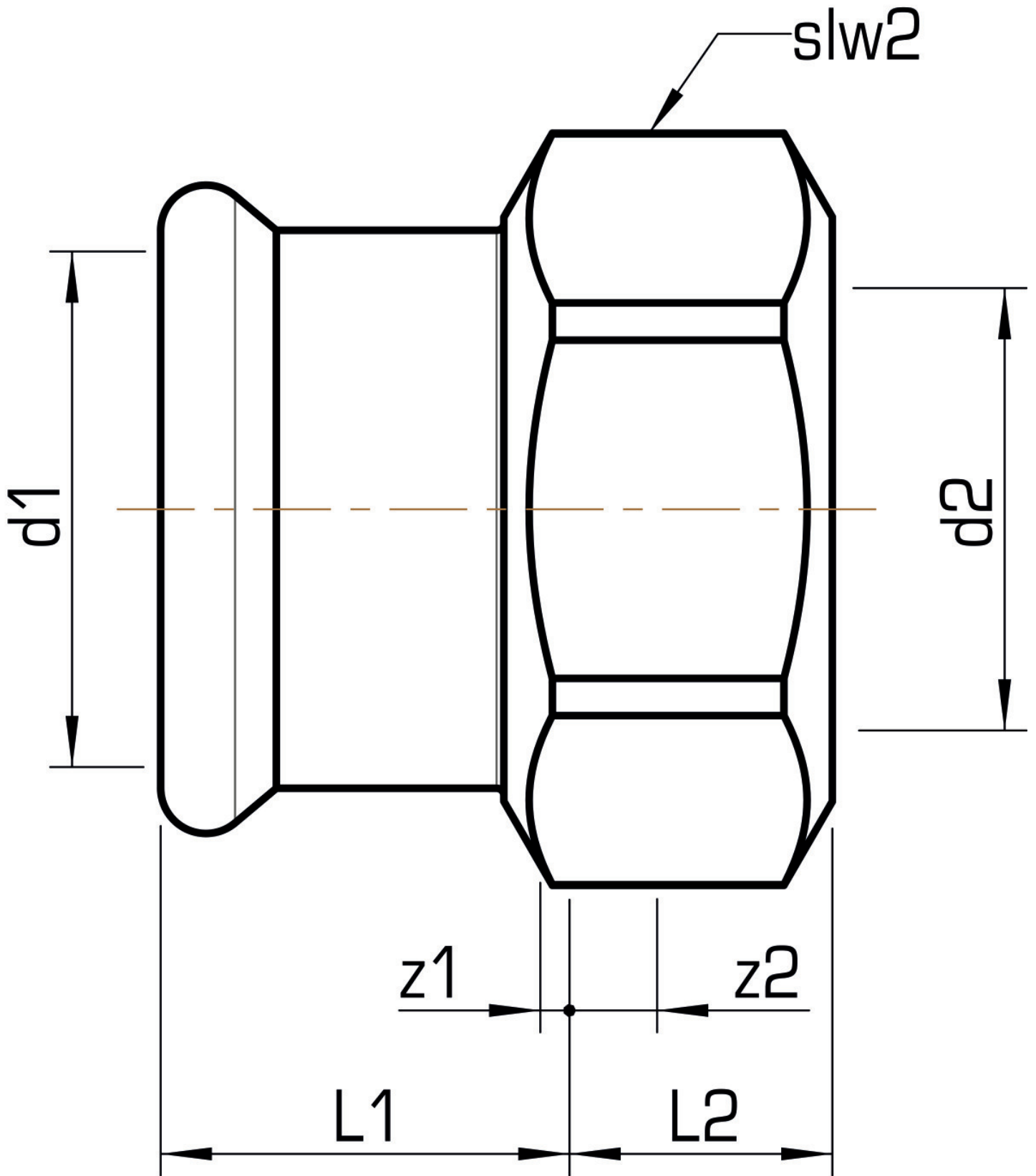
| | |
|---------------|---------------------------------------------------------|
| port 1 | Pressmuffe |
| port 2 | Innengewinde zylindrisch BSPT-Rp (ISO 7-1 / EN 10226-1) |
| execution | 1-part |
| design | gerade |
| press contour | M |

Technical properties

| | |
|------------------------------------|--------|
| maximum working pressure at 20 ° C | 16 bar |
|------------------------------------|--------|

Product information

| | |
|---------------------|------------------------------------------------------------|
| VPE1 | 5,00 SA1 |
| VPE2 | 20,00 KT1 |
| VPE3 | 500,00 DDP |
| weight | 0,160 KGM |
| text | STEELFIX carbon steel press-fit-adapter with female thread |
| INTRNR | 73079980 |
| main material group | STEELFIX |
| material group | C-STAHL pressfittings |
| code | CP457 |



| Art. No | label | d2 Inches | d1 mm | L1 mm | L2 mm | z1 mm | z2 mm | slw2 mm |
|----------|---------|--------------|-------|-------|-------|-------|-------|---------|
| 54706F06 | 35x5/4" | 1 1/4" | 35 | 30 | 20 | 4 | 2 | 46 |



KE KELIT GmbH

A 4020 Linz, Ignaz-Mayer-Straße 17, Austria, Europe

PHONE +43 (0) 50 779 **E-MAIL** office@kekelit.com

www.kekelit.com