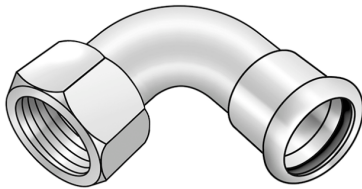


STEEL FIX C-STAHL

CP467 STEELFIX carbon steel press-fit-adapter elbow 90° with female thread 35x1"

54716F05

Areas of application



Press-elbow adapter 90° with female thread made of carbon steel coated with a zinc layer, incl. EPDM sealing components, d15-54 "leak before pressed"

Press contour: M

Specifications

Article information

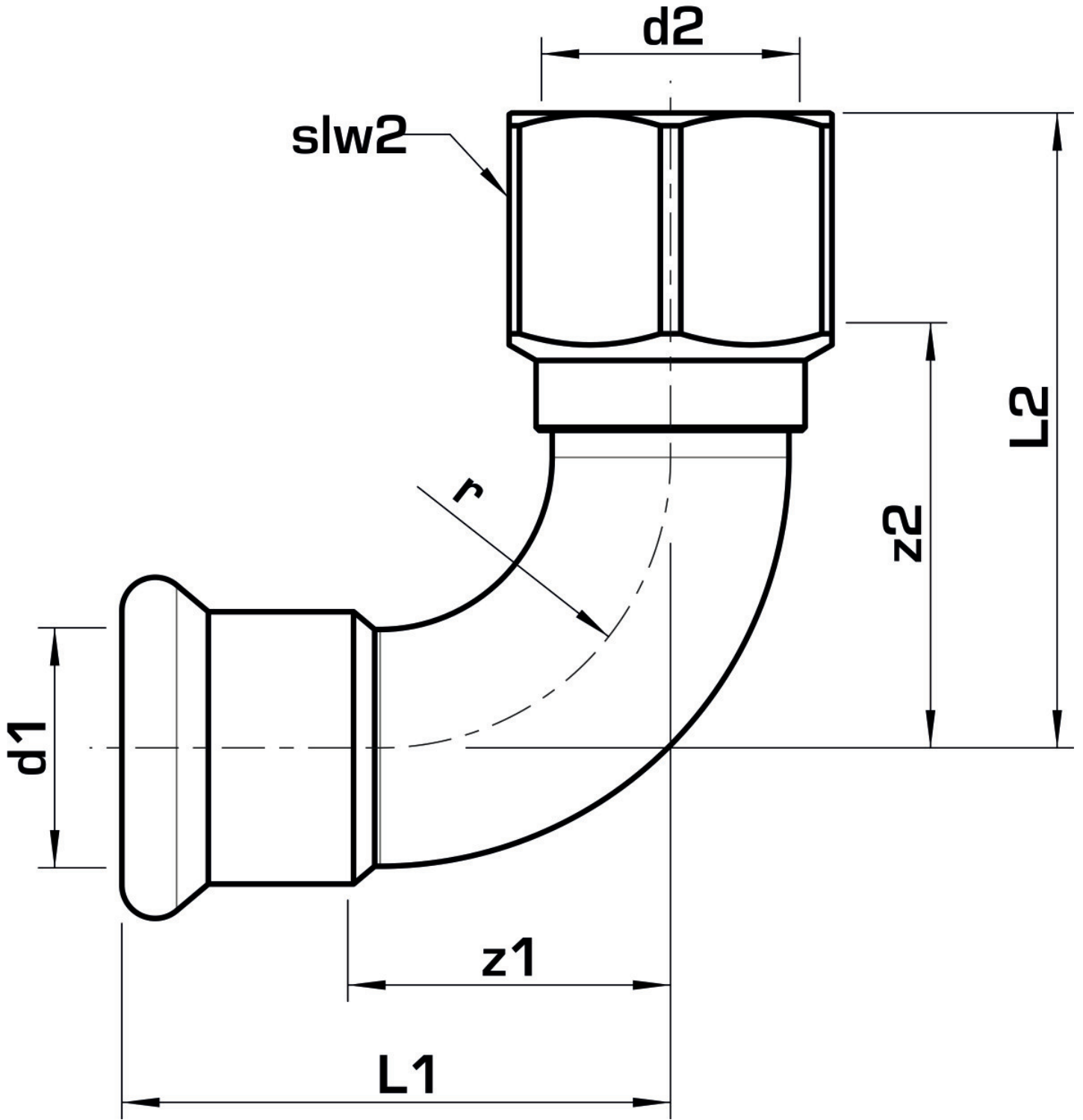
port 1	Pressmuffe
port 2	Innengewinde zylindrisch BSPT-Rp (ISO 7-1 / EN 10226-1)
execution	1-part
design	Bogen
angle	90 °
press contour	M

Technical properties

maximum working pressure at 20 ° C	16 bar
------------------------------------	--------

Product information

VPE1	5,00 SA1
VPE2	20,00 KT1
VPE3	500,00 DDP
weight	0,343 KGM
text	STEELFIX carbon steel press-fit-adapter elbow 90° with female thread
INTRNR	73079980
main material group	STEELFIX
material group	C-STAHL pressfittings
code	CP467



Art. No	label	d2 Inches	d1 mm	L1 mm	L2 mm	z1 mm	z2 mm	slw2 mm
54716F05	35x1"	1"	35	71	74,5	45	52,5	41



KE KELIT GmbH

A 4020 Linz, Ignaz-Mayer-Straße 17, Austria, Europe

PHONE +43 (0) 50 779 **E-MAIL** office@kekelit.com

www.kekelit.com