

# STEEL FIX C-STAHl

CP471 STEELFIX carbon steel press-fit cap 88,9

54735K00

## Areas of application



Press-fit cap made of carbon steel coated with a zinc layer, incl. EPDM sealing elements, d15-54  
"leak before pressed"

Press contour: M

# Specifications

## Article information

**port 1** Pressmuffe

**press contour** M

## Product information

**VPE1** 2,00 SA1

**VPE2** 20,00 KT1

**weight** 0,540 KGM

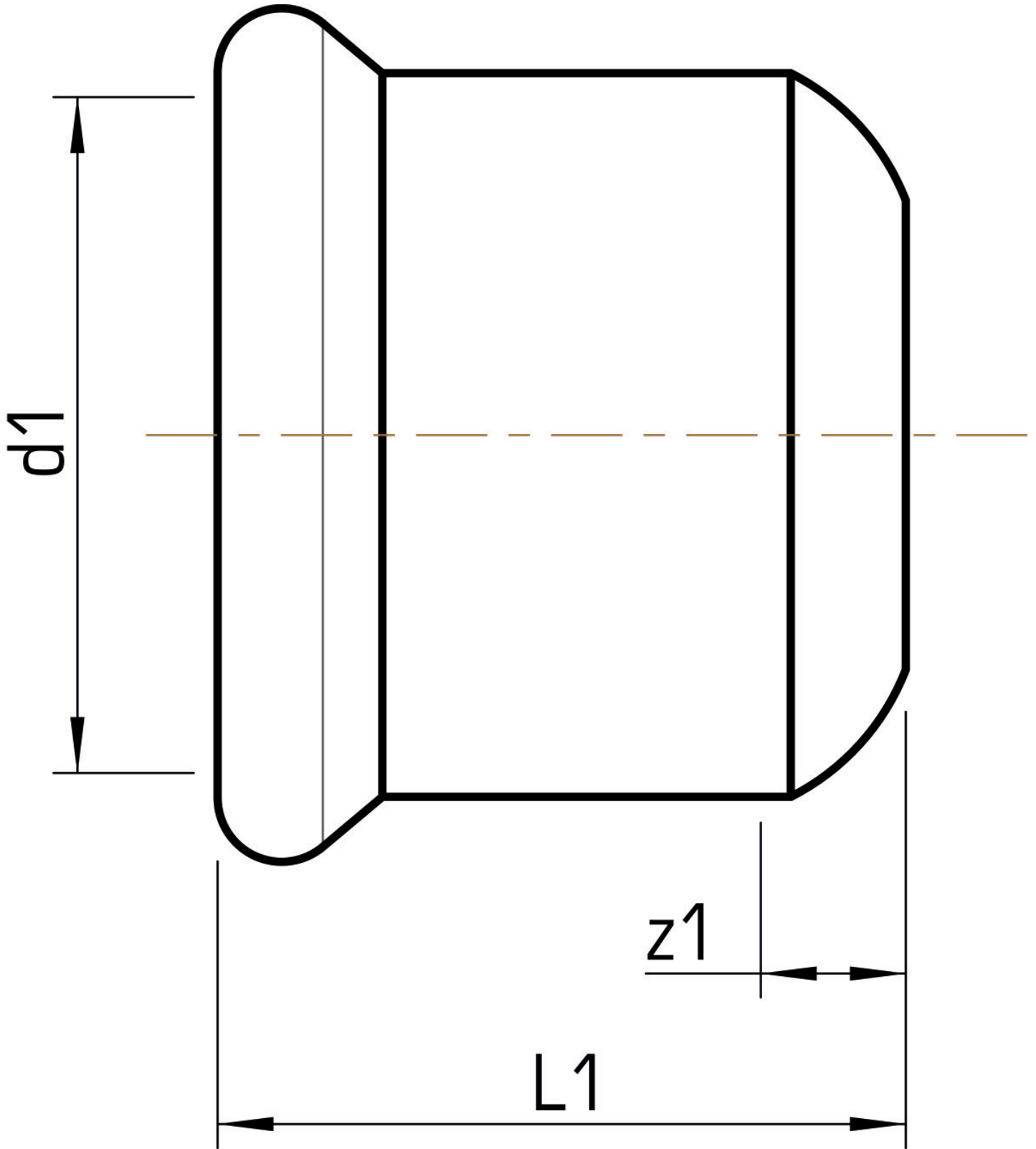
**text** STEELFIX carbon steel press-fit cap

**INTRNR** 73079980

**main material group** STEELFIX

**material group** C-STAHL pressfittings

**code** CP471



Art. No	label	d1 mm	L1 mm	z1 mm
54735K00	88,9	88,9	82	22



**KE KELIT GmbH**

A 4020 Linz, Ignaz-Mayer-Straße 17, Austria, Europe

**PHONE** +43 (0) 50 779 **E-MAIL** office@kekelit.com

www.kekelit.com