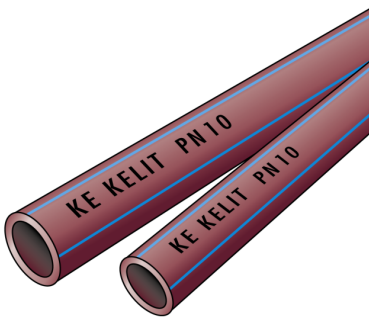


# KETRIX

## TRI02 KETRIX industrial pipe - PN10 63x5.8

55002I00

### Areas of application



KETRIX industrial piping system based on ÖNORM EN ISO 15874 made of polyolefin blend (POB) for COOLING WATER and COLD

Application area: 20°C/10 bar, from -30°C to +30°C/8 bar

Colour: burgundy with 3 co-extruded blue longitudinal lines

Length: 4m

# Specifications

## Article information

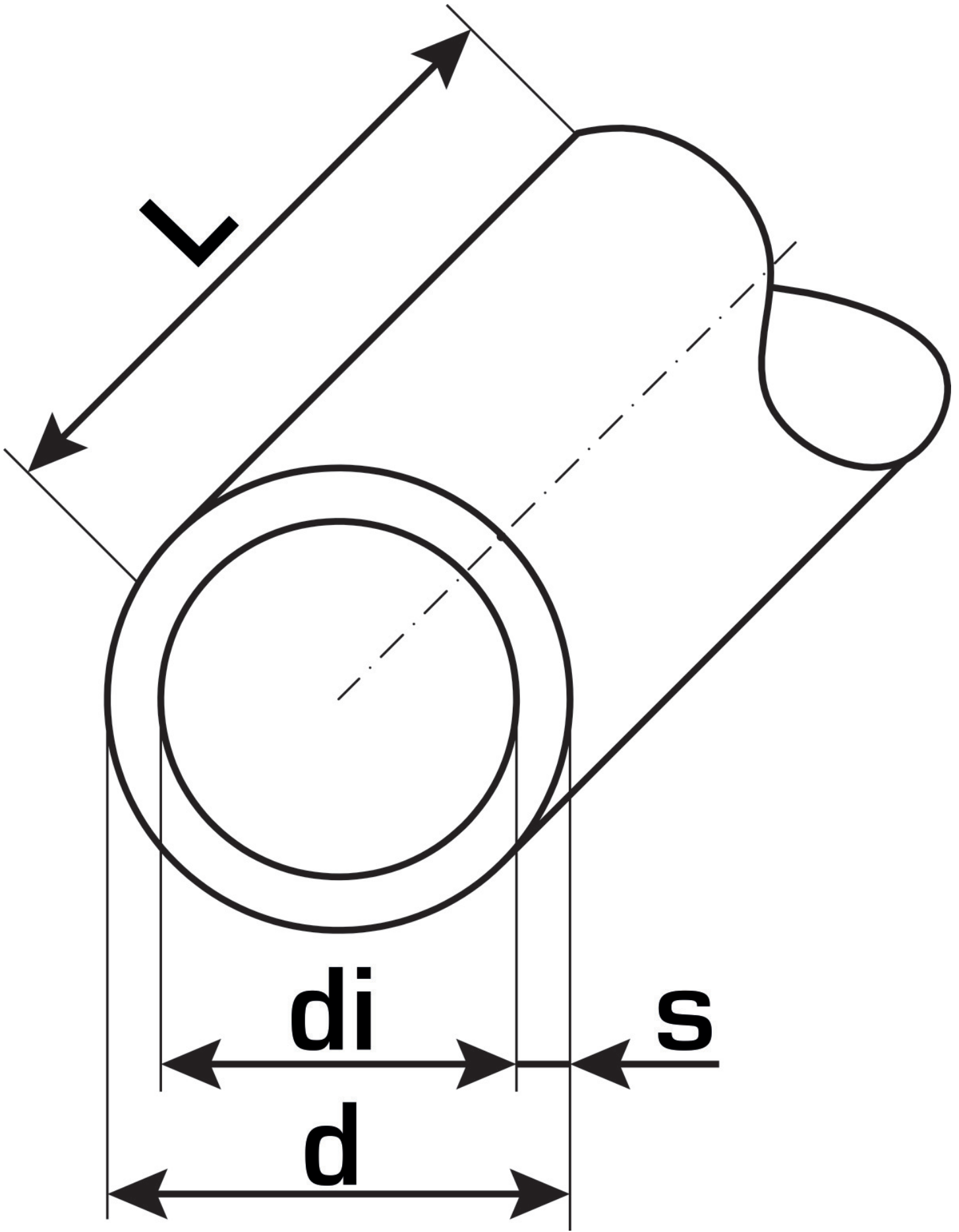
port 1	Pipe end
port 2	Pipe end
color	Burgundy

## Technical properties

pipe weight	1,01 kg/m
pipe contents	2,07 l/m
PN	PN 10
lambda pipe	0,24 W/(m.K)
wall rawness	0,007 mm
expansion coefficient	0,14 mm/(m.K)

## Product information

<b>DIM2</b>	51,4
<b>VPE1</b>	12,00 BND
<b>VPE2</b>	780,00 HOB
<b>L</b>	4 m
<b>weight</b>	1,018 KGM
<b>text</b>	KETRIX industrial pipe - PN10
<b>INTRNR</b>	39172290
<b>main material group</b>	KETRIX
<b>material group</b>	KETRIX pipes
<b>code</b>	TRI02



Art. No	label	d1 mm	pipe contents l/m	s mm
55002100	63x5.8	63	2,07	5,8



**KE KELIT GmbH**

A 4020 Linz, Ignaz-Mayer-Straße 17, Austria, Europe

**PHONE** +43 (0) 50 779 **E-MAIL** office@kekelit.com

www.kekelit.com