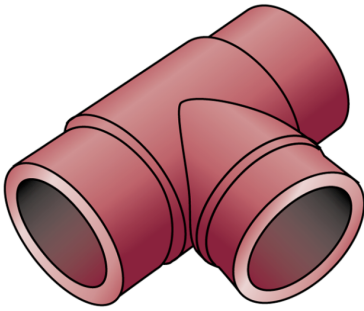


KETRIX

TRI30ST KETRIX equal-tee - PN10 160

55510PPP

Areas of application



KETRIX butt weld fitting PN10, for connecting POB pipes to fittings made of the same material

Specifications

Article information

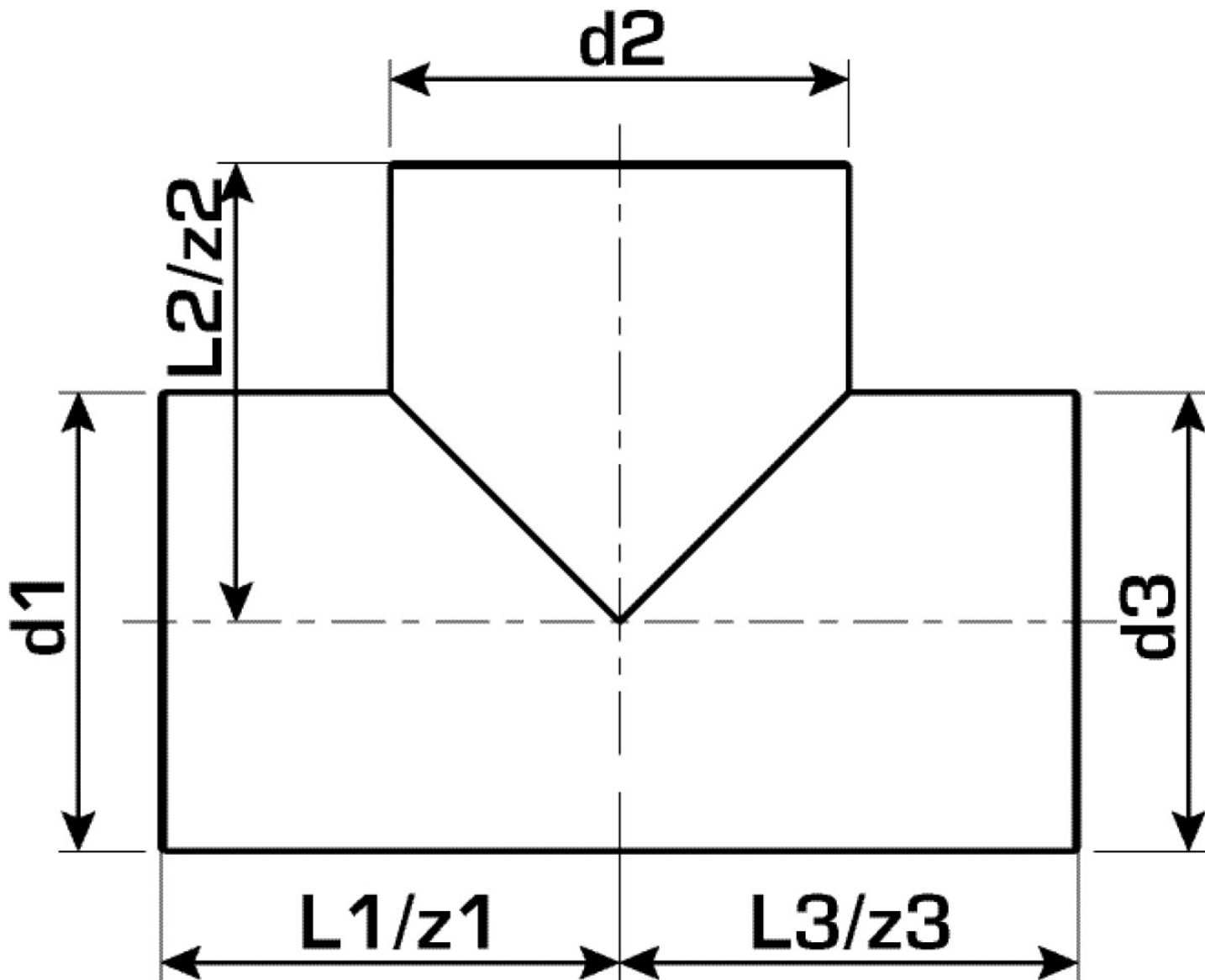
port 1	Plastic welding socket
port 2	Plastic welding socket
port 3	Plastic welding socket
execution	T-piece
angle	90

Technical properties

maximum working pressure at 20 ° C	10 bar
------------------------------------	--------

Product information

VPE1	1,00 SA1
weight	4,170 KGM
text	KETRIX equal-tee - PN10
INTRNR	39174000
main material group	KETRIX
material group	KETRIX plastic fittings
code	TRI30ST



Art. No	label	d1 mm	d2	d3 mm	L1 mm	L2 mm	L3 mm	z1 mm	z2 mm	z3 mm
55510PPF	160	160	160	160	205	208	205	205	208	205