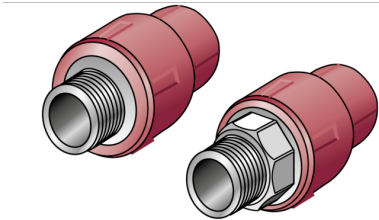


# KETRIX

## TRI11 KETRIX adapter with male thread 75x2 1/2"S

55210J12

### Areas of application

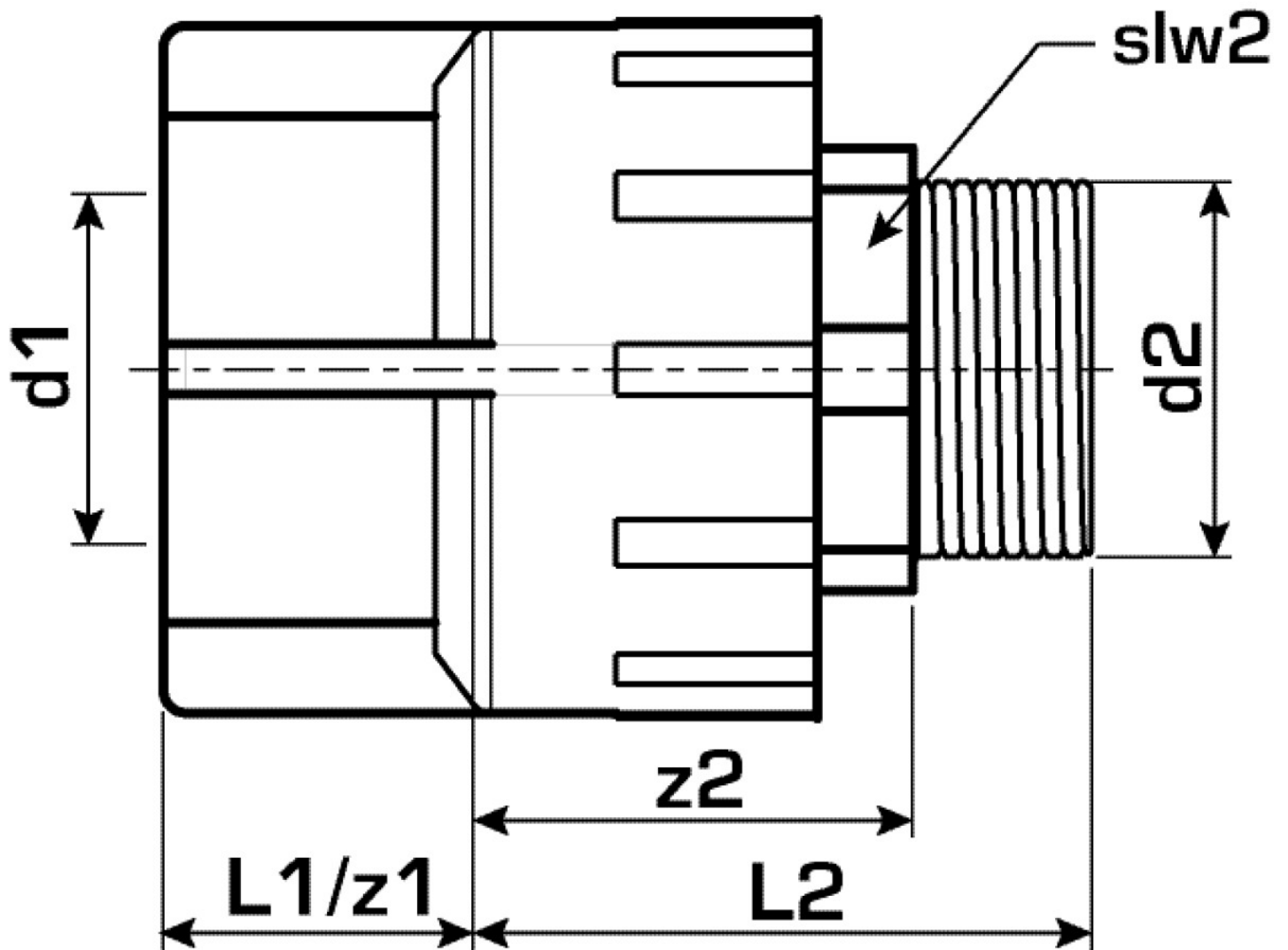


KETRIX polyfusion weld fitting for connecting POB pipes with fittings made of the same material without narrowing the cross-section, with injected male thread made of dezincification-resistant brass and non-porous metal plating, thread conforms to ÖNORM EN 10226

System parts marked with an "S" are produced with a wrench attachment connection

# Specifications

Product information	
VPE1	1,00 SA1
VPE2	4,00 KT1
VPE3	16,00 KT2
VPE4	384,00 PAL
weight	1,160 KGM
text	KETRIX adapter with male thread
INTRNR	39174000
main material group	KETRIX
material group	KETRIX metal fittings
code	TRI11



Art. No	label
55210J12	75x2 1/2"S