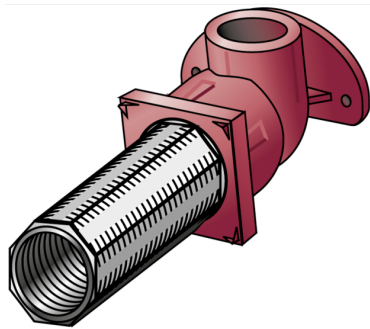


# KETRIX

## TRI83HA KETRIX hollow wall connection bracket 90° with female thread 20x1/2"x50

55204D02

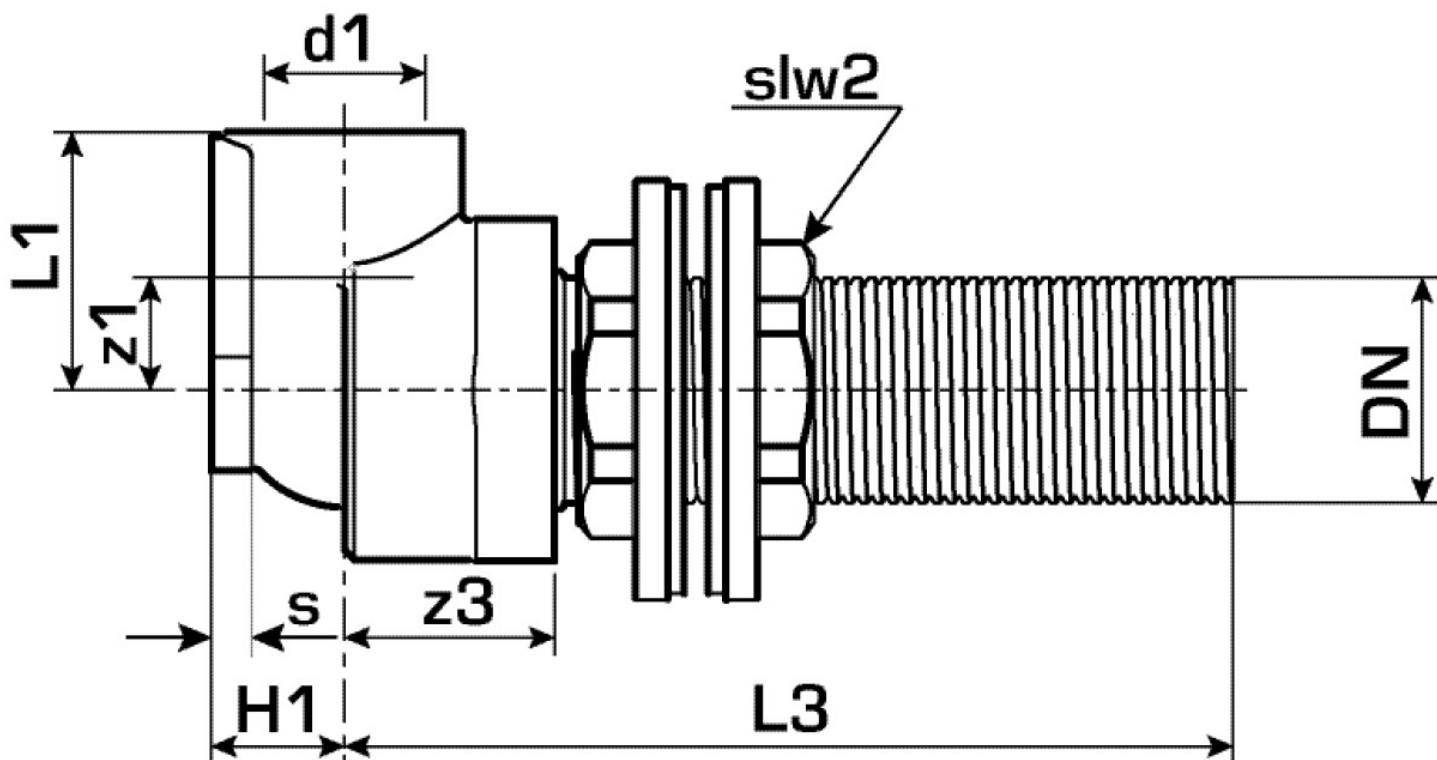
### Areas of application



KETRIX polyfusion weld fitting for connecting POB pipes with fittings made of the same material without narrowing the cross section, with injected female thread made of dezincification-resistant brass and non-porous metal-plating, thread conforms to ÖNORM EN 10226, extended on the metal side by 50mm with M28mm male thread, octagonal version, seal and 2 lock nuts  
Do NOT connect to threaded pipes or to cast iron fittings!

# Specifications

Product information	
VPE1	5,00 SA1
VPE2	30,00 KT1
VPE3	120,00 KT2
VPE4	2880,00 PAL
weight	0,296 KGM
text	KETRIX hollow wall connection bracket 90° with female thread
INTRNR	39174000
main material group	KETRIX
material group	KETRIX metal fittings
code	TRI83HA



Art. No	label
55204D02	20x1/2"x50