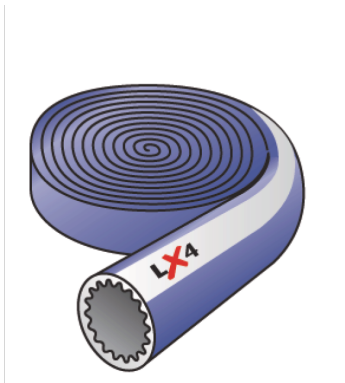


# LEXEL

## LX04 LEXEL insulation hose - 4 3/8"-18

5110030

### Areas of application



Insulation hose made of cross-linked closed-cell polyethylene with onto it extruded woven tape fabric and viscoplastic protective film, for heat and structure-borne insulation, sound insulation increased with a knob-air chamber profile on the inside of the hose, CFC-free

Colour: blue

Roll length: 10m

Thickness: 4mm

# Specifications

## Technical properties

**thermal conductivity** 0,036 W/(m.K)

## Product information

**DIM2** 18

**VPE1** 200,00 KT1

**L** 10 m

**weight** 0,024 KGM

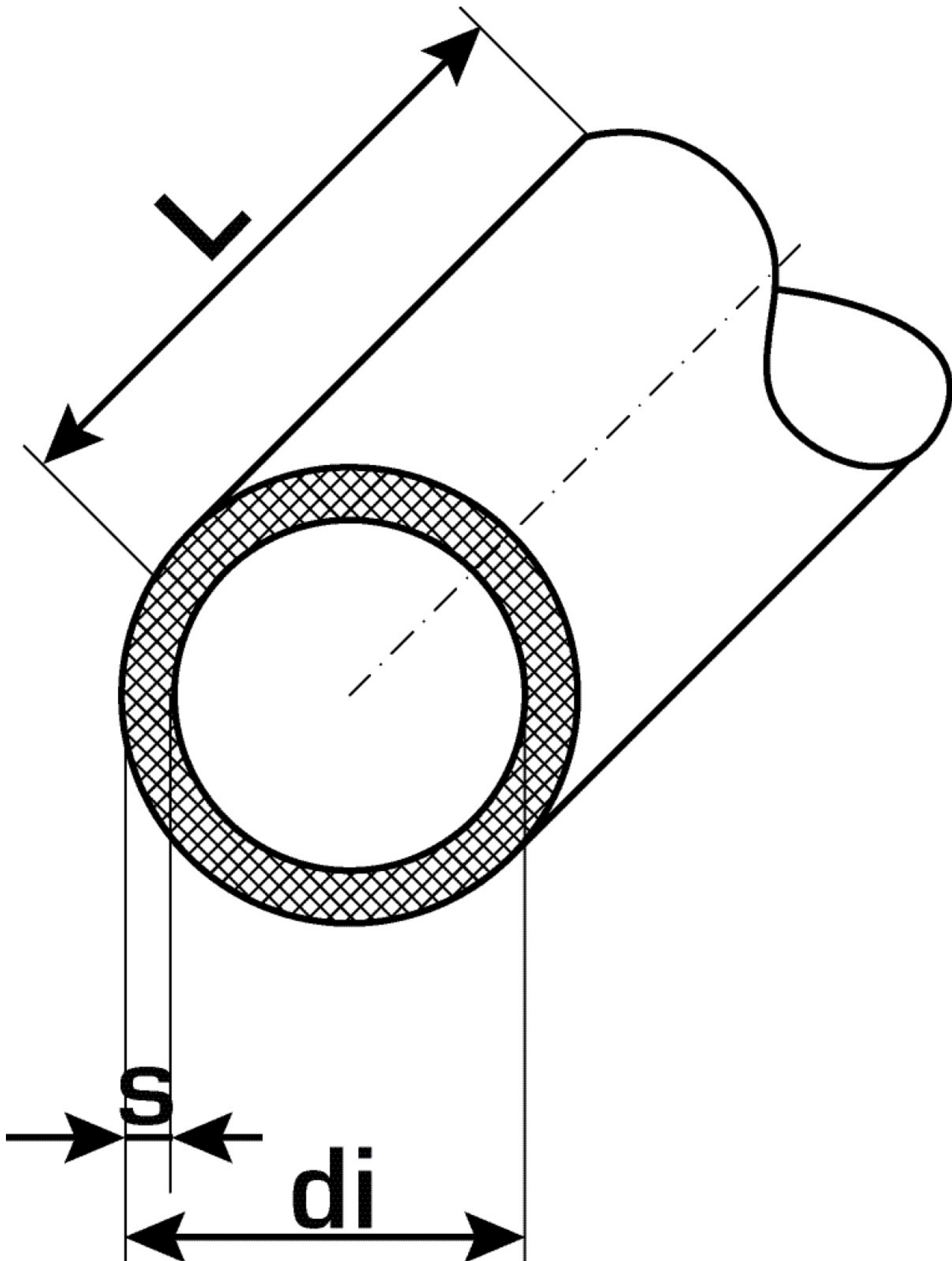
**text** LEXEL insulation hose - 4

**INTRNR** 39173900

**main material group** LEXEL

**material group** LEXEL isolation and accessories

**code** LX04



Art. No	label	d mm
5110030	3/8"-18	18



**KE KELIT GmbH**

A 4020 Linz, Ignaz-Mayer-Straße 17, Austria, Europe

**PHONE** +43 (0) 50 779 **E-MAIL** [office@kekelit.com](mailto:office@kekelit.com)

[www.kekelit.com](http://www.kekelit.com)