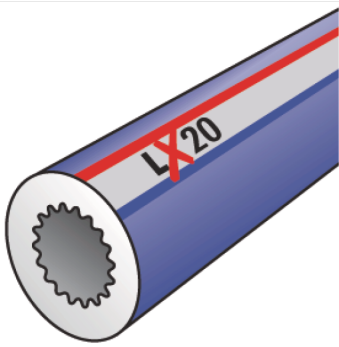


LEXEL

LX20 LEXEL insulation hose - 20 1"-35

5140060

Areas of application



Insulation hose made of cross-linked closed-cell polyethylene with onto it extruded woven tape fabric and viscoplastic protective film, for heat and structure-borne insulation, sound insulation increased with a knob-air chamber profile on the inside of the hose, CFC-free

Colour: blue

Length: 2m

Thickness: 20mm

Specifications

Technical properties

thermal conductivity	0,036 W/(m.K)
-----------------------------	---------------

Product information

VPE1	50,00 KT1
-------------	-----------

L	2 m
----------	-----

weight	0,147 KGM
---------------	-----------

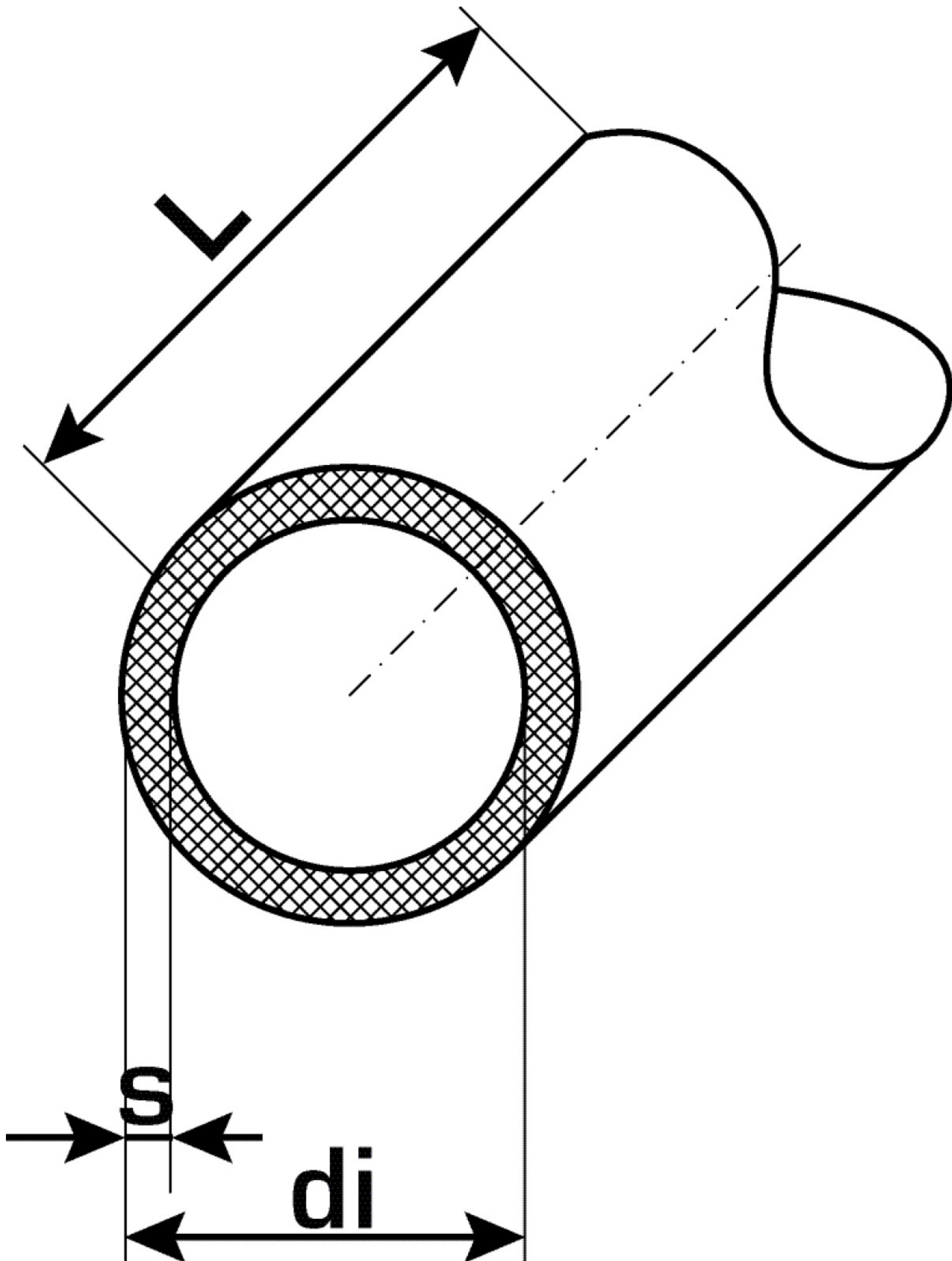
text	LEXEL insulation hose - 20
-------------	----------------------------

INTRNR	39173900
---------------	----------

main material group	LEXEL
----------------------------	-------

material group	LEXEL isolation and accessories
-----------------------	---------------------------------

code	LX20
-------------	------



Art. No	label	d mm
5140060	1"-35	35



KE KELIT GmbH

A 4020 Linz, Ignaz-Mayer-Straße 17, Austria, Europe

PHONE +43 (0) 50 779 **E-MAIL** office@kekelit.com

www.kekelit.com