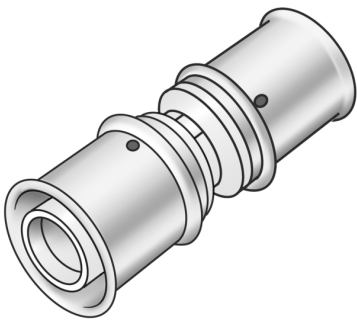


# KELOX

## KWX410W ?KELOX PPSU-W coupling 25/16

77100EB0

### Areas of application



?Press coupling equal or reduced, made of PPSU (white), incl. support sleeves with O-rings and stainless steel pressing sleeves

### Approvals:



KE KELIT GmbH

A 4020 Linz, Ignaz-Mayer-Straße 17, Austria, Europe

PHONE +43 (0) 50 779 E-MAIL [office@kekelit.com](mailto:office@kekelit.com)

[www.kekelit.com](http://www.kekelit.com)

# Specifications

## Article information

|               |                 |
|---------------|-----------------|
| port 1        | Pressing socket |
| port 2        | Pressing socket |
| execution     | 1-part          |
| design        | Straight        |
| press contour | U               |

## Technical properties

|                                    |        |
|------------------------------------|--------|
| maximum working pressure at 20 ° C | 10 bar |
|------------------------------------|--------|

## Product information

|                     |                             |
|---------------------|-----------------------------|
| VPE1                | 10,00 SA1                   |
| VPE2                | 120,00 KT1                  |
| weight              | 0,036 KGM                   |
| text                | ?KELOX PPSU-W coupling      |
| INTRNR              | 39174000                    |
| main material group | KELOX                       |
| material group      | KELOX-PPSU plastic fittings |
| code                | KWX410W                     |



| Art. No  | label | d1 mm | d2 mm | L1 mm | L2 mm | z1 mm | z2 mm |
|----------|-------|-------|-------|-------|-------|-------|-------|
| 77100EB0 | 25/16 | 25    | 16    | 41    | 30    | 11    | 8     |