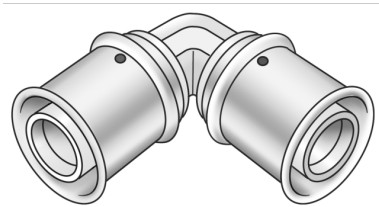


# KELOX

## KWX420W ?KELOX PPSU-W elbow 90° 16

77103BB0

### Areas of application



?Press elbow 90° for changing direction with a minimal radius, made of PPSU (white), incl. support sleeves with O-rings and stainless steel press-fit sleeves

### Approvals:



# Specifications

## Article information

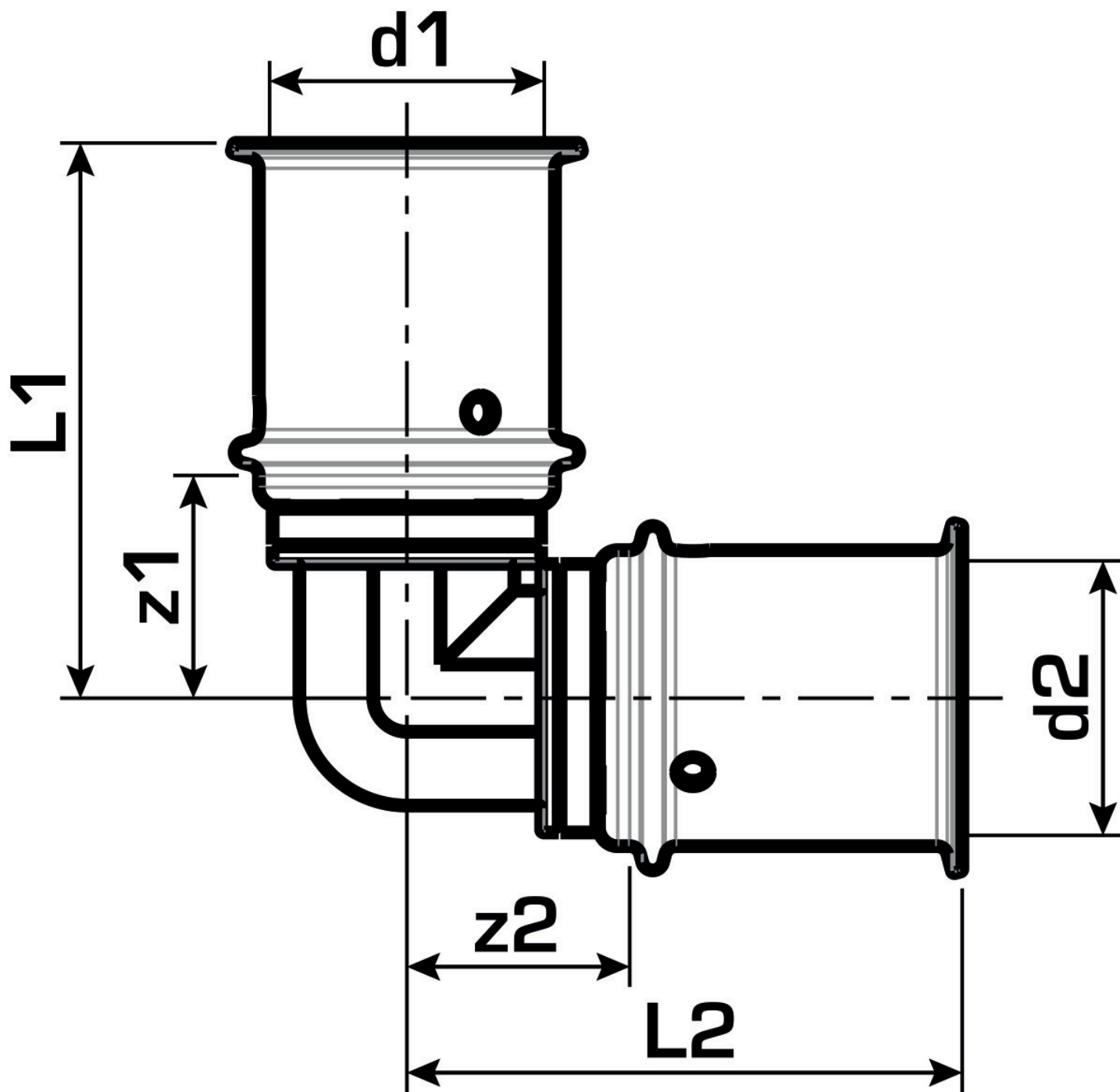
|               |                 |
|---------------|-----------------|
| port 1        | Pressing socket |
| port 2        | Pressing socket |
| execution     | 1-part          |
| design        | Knee            |
| angle         | 90 °            |
| press contour | U               |

## Technical properties

|                                    |        |
|------------------------------------|--------|
| maximum working pressure at 20 ° C | 16 bar |
|------------------------------------|--------|

## Product information

|                     |                             |
|---------------------|-----------------------------|
| VPE1                | 10,00 SA1                   |
| VPE2                | 200,00 KT1                  |
| weight              | 0,015 KGM                   |
| text                | ?KELOX PPSU-W elbow 90°     |
| INTRNR              | 39174000                    |
| main material group | KELOX                       |
| material group      | KELOX-PPSU plastic fittings |
| code                | KWX420W                     |



| Art. No  | label | d1 mm | d2 mm | L1 mm | L2 mm | z1 mm | z2 mm |
|----------|-------|-------|-------|-------|-------|-------|-------|
| 77103BB0 | 16    | 16    | 16    | 39    | 39    | 15    | 15    |