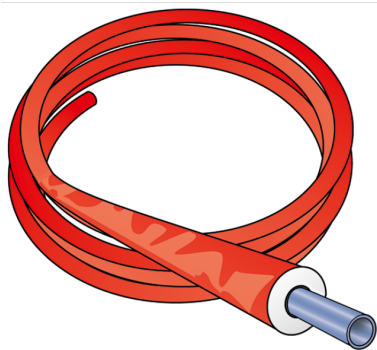


KMU120P KELOX-ULTRAX FB plus pipe - 9mm 16x2

7001162

Areas of application



?KELOX-ULTRAX FB plus pipe conforming to ÖNORM EN ISO 21003, oxygen- and water vapour diffusion-tight 5-layer multilayer pipe made of PE-RT/Al/PE-RT, with factory-applied 9 mm closed-cell soft foam insulation and jacket made of viscoplastic PE film

Classification of operating conditions according to ÖNORM EN ISO 21003

Underfloor heating - Class 4: 60°C - tmax 70°C/10 bar

Insulation thickness: 9mm

Colour: red

Supplied in coils

Approvals:



KE KELIT GmbH

A 4020 Linz, Ignaz-Mayer-Straße 17, Austria, Europe

PHONE +43 (0) 50 779 **E-MAIL** office@kekelit.com

www.kekelit.com

Specifications

Article information

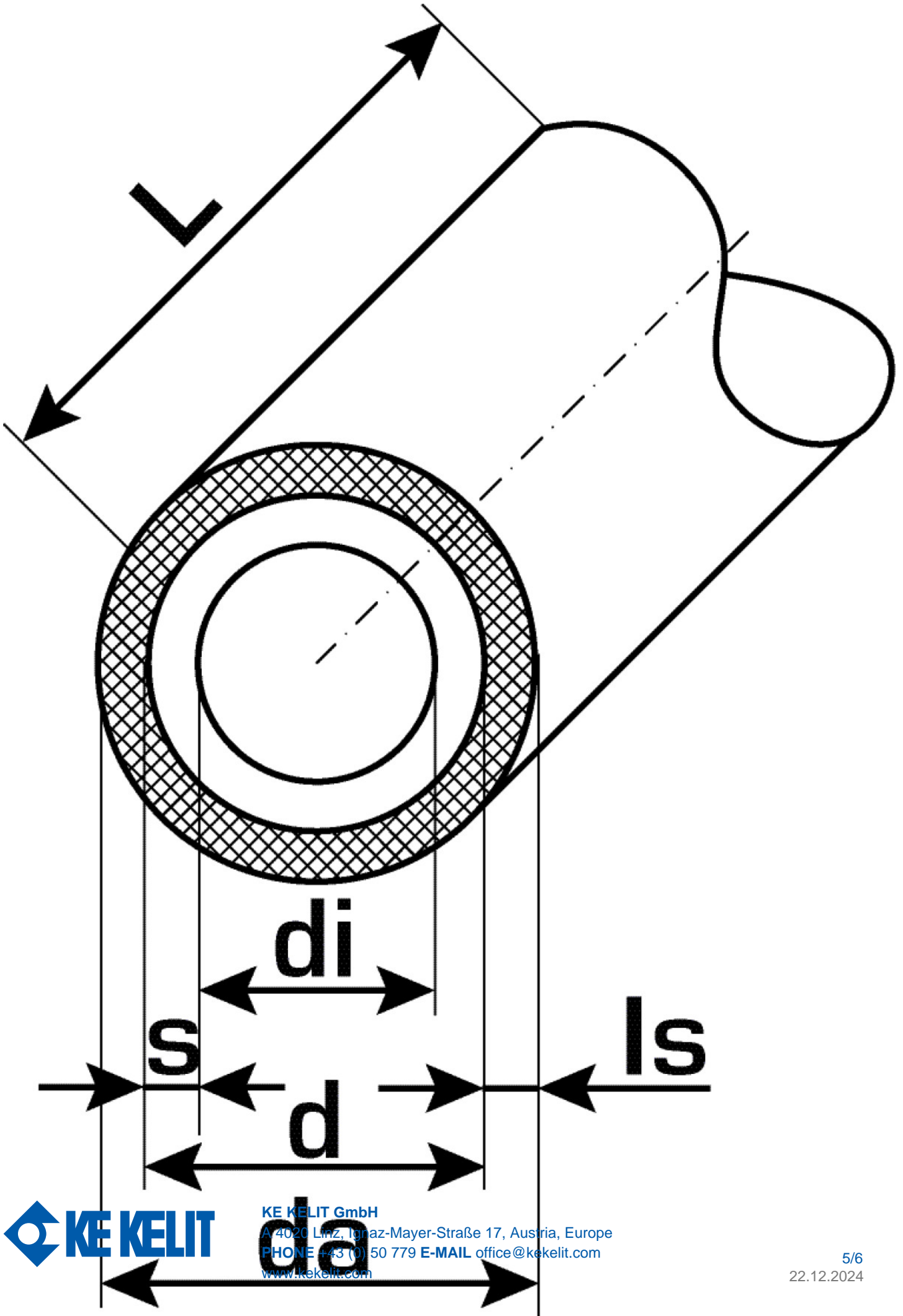
color	Blue
colour isolation	Red
flexible	1
trade length	100 m
isolation	1

Technical properties

maximum working pressure at 20 ° C	10 bar
thick thermal insulation	9 mm
pipe weight	0,11 kg/m
pipe contents	0,113 l/m
lambda pipe	0,45 W/(m.K)
wall rawness	0,007 mm
expansion coefficient	0,025 mm/(m.K)

Product information

VPE1	100,00 ROL
VPE2	900,00 PAL
L	100 m
weight	0,160 KGM
text	KELOX-ULTRAX FB plus pipe - 9mm
INTRNR	39173900
code	KMU120P



Art. No	label	d1 mm	d Jacket tube mm	pipe contents l/m	s mm
7001162	16x2	16	34	0,113	2



KE KELIT GmbH

A 4020 Linz, Ignaz-Mayer-Straße 17, Austria, Europe

PHONE +43 (0) 50 779 **E-MAIL** office@kekelit.com

www.kekelit.com